

Clamping Pins• self-locking, with span compensation

22360.0010



Product Description

Used for fixing and simultaneously tightly connecting thin walled plates. Clamping distance of 5 mm for clamping of sheets for welding work, for protection, coverings, to close doors etc. All versions are corrosion resistant. Version with ergonomic grip.

Material

Pin part

- Stainless steel 1.4305

Handle

- Thermoplastic PA 6, grey

Spring

- Stainless steel

Operation

The balls are unlocked by pressing the knob.

More information

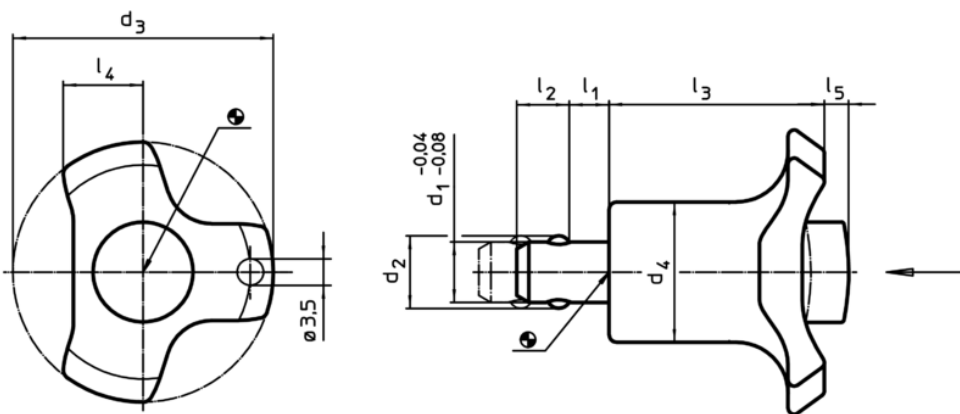
Accessories

Can easily be fitted with retaining cable EH 22400.

Further products

- Locating Bushings, for ball lock pins and socket pins
- Locating Bushings, with flange, for ball lock pins and socket pins
- Retaining Cables

Drawing



Order information

Dimensions									Location hole H11	Clamping force max.	Temperature		Weight	Art. No.
d ₁	l ₁	d ₂	d ₃	d ₄	l ₂	l ₃	l ₄	l ₅			min.	max.		
-0,04 -0,08								Unclamped						
[mm]									[mm]	[N]	[°C]		[g]	
6	0 – 5	7	38	17,5	5	30,2	11	3	6	16	-30	80	19	22360.0010

Application example

