

## Locating Bushings• for lifting pins

22350.0910



### Product Description

Locating bushings are used for quick and safe locating of lifting pins EH 22350. Corrosion and abrasion resistant.

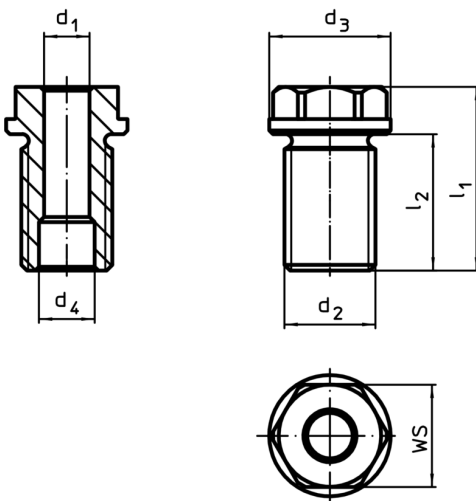
### Material

- Stainless steel 1.4542, precipitation-hardened

### Assembly

Ensure safe tolerances and consistent function. Easily incorporable into different materials. Can be used in thin-walled pieces. Can be mounted in blind holes. In the case of thin-walled pieces, assembly is carried out using a lock nut.

### Drawing



### Order information

Dimensions		For nominal length l [mm]	Dimensions				WS [mm]	Tightening torque max. [Nm]	x <sup>1)</sup> [mm]	Carrying force <sup>1)</sup>			For lifting pin	Art. No.	
d <sub>1</sub> H11 [mm]	d <sub>2</sub> [mm]		d <sub>3</sub> -0,2	d <sub>4</sub> +0,3	l <sub>1</sub>	l <sub>2</sub>				F <sub>1</sub>	F <sub>2</sub>	F <sub>3</sub>			
10	M20 x 1,5	15	28	12,2	35,5	24	24	145	1,5	2,7	2,4	2,1	22350.0621 / .0721	70	22350.0910

<sup>1)</sup> for a 5-fold safety against breakage

Application example

