

## Lifting Pins· self-locking

22350.0616



### Product Description

Heavy-duty lifting element for quick and easy use, with moveable shackle and locking stud to provide protection against unintentional unlocking. Special lifting devices e.g. threads for ring bolts, are no longer required on the workpiece. All versions are corrosion-resistant.

### Material

#### Pin part

- Heat-treated steel, tempered, manganese phosphated

#### Press button

- Aluminium, red anodised

#### Shackle

- Heat-treated steel, tempered, manganese phosphated

#### Spring

- Stainless steel

### Assembly

Simple H11 boreholes are sufficient. Each lifting pin contains an instruction manual with an EC Declaration of Conformity.

### Operation

The balls are unlocked by pressing the knob.

### More information

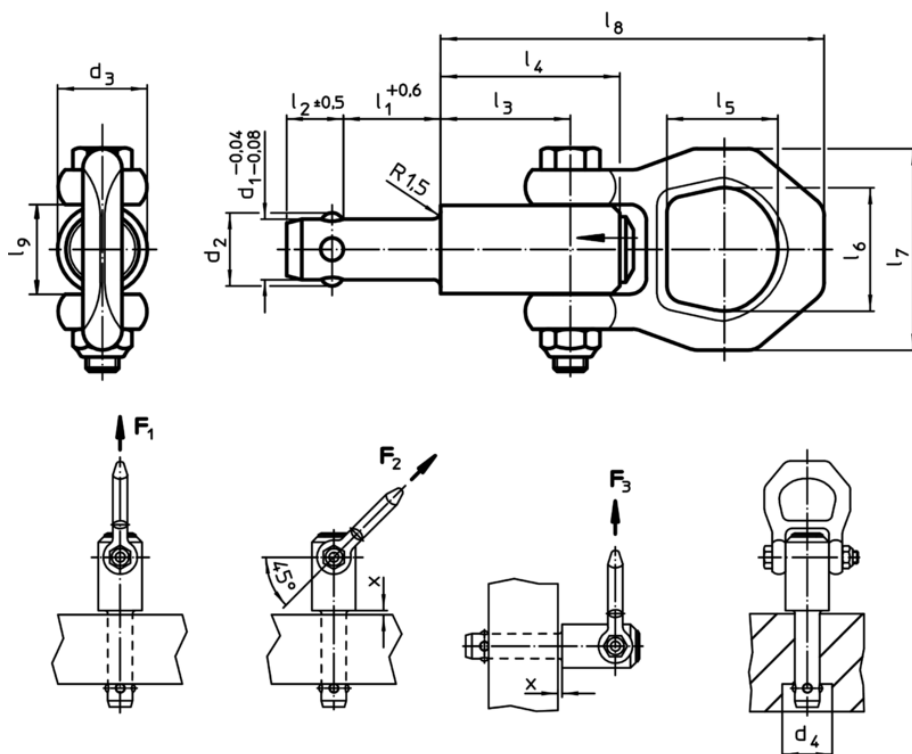
### Accessories

Suitable locating bushings 22350.0900 - .0956 for  $d_1 = 8, 10, 12, 16$  and  $20$  can be supplied as an accessory.

### Further products

- Lifting Pins, self-locking, stainless steel
- Locating Bushings, for lifting pins
- Locating Bushings, plain, for lifting pins
- Locating bushing with seal, plain, for lifting pins

### Drawing



Order information

Dimensions													Carrying force <sup>1)</sup>			x		Location hole	max.		Art. No.
d <sub>1</sub>	l <sub>1</sub>	d <sub>2</sub>	d <sub>3</sub>	d <sub>4</sub>	l <sub>2</sub>	l <sub>3</sub>	l <sub>4</sub>	l <sub>5</sub>	l <sub>6</sub>	l <sub>7</sub>	l <sub>8</sub>	l <sub>9</sub>	F <sub>1</sub>	F <sub>2</sub>	F <sub>3</sub>	<sup>1)</sup> min.	max.	H11	max.		
[mm]													[kN]			[mm]		[mm]	[°C]	[g]	
8,3	35	9,65	21,5	10,05	8,75	25,7	36	27	30	49	87,5	21,5	1,5	1,2	0,5	1,5	15	8,3	250	228	22350.0616

<sup>1)</sup> for a 5-fold safety against breakage

Application example

