

Lifting Pins· self-locking  
22350.0614



**Product Description**

Heavy-duty lifting element for quick and easy use, with moveable shackle and locking stud to provide protection against unintentional unlocking. Special lifting devices e.g. threads for ring bolts, are no longer required on the workpiece. All versions are corrosion-resistant.

**Material**

**Pin part**

- Heat-treated steel, tempered, manganese phosphated

**Press button**

- Aluminium, red anodised

**Shackle**

- Heat-treated steel, tempered, manganese phosphated

**Spring**

- Stainless steel

**Assembly**

Simple H11 boreholes are sufficient. Each lifting pin contains an instruction manual with an EC Declaration of Conformity.

**Operation**

The balls are unlocked by pressing the knob.

**More information**

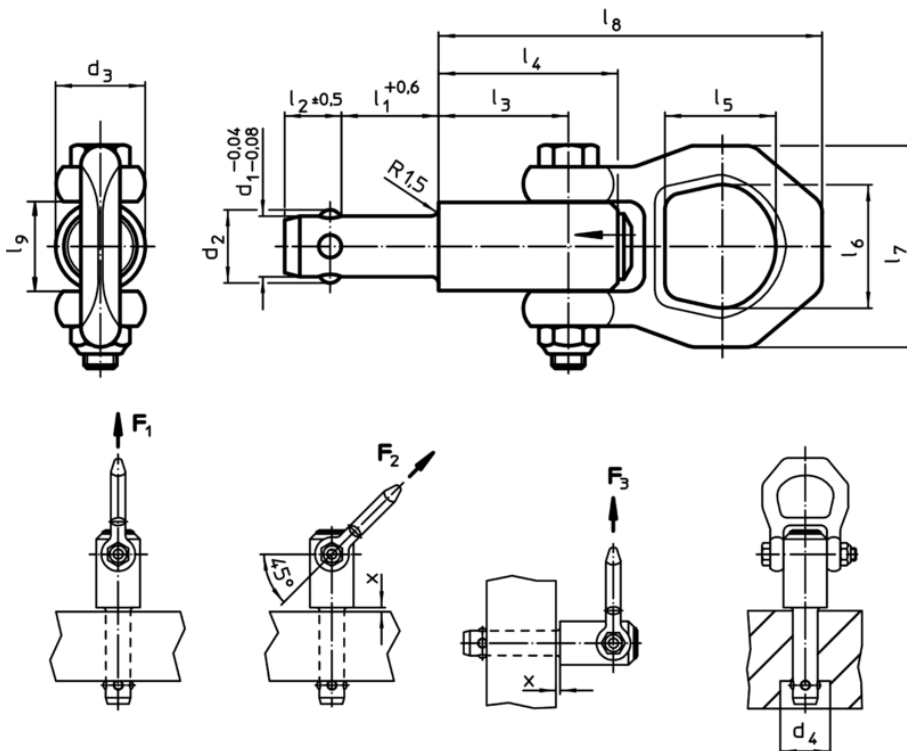
**Accessories**

Suitable locating bushings 22350.0900 - .0956 for  $d_1 = 8, 10, 12, 16$  and  $20$  can be supplied as an accessory.

**Further products**

- Lifting Pins, self-locking, stainless steel
- Locating Bushings, for lifting pins
- Locating Bushings, plain, for lifting pins
- Locating bushing with seal, plain, for lifting pins

**Drawing**



Order information

Dimensions													Carrying force <sup>1)</sup>			x		Location hole	max.		Art. No.
d <sub>1</sub>	l <sub>1</sub>	d <sub>2</sub>	d <sub>3</sub>	d <sub>4</sub> min.	l <sub>2</sub>	l <sub>3</sub>	l <sub>4</sub>	l <sub>5</sub>	l <sub>6</sub>	l <sub>7</sub>	l <sub>8</sub>	l <sub>9</sub>	F <sub>1</sub>	F <sub>2</sub>	F <sub>3</sub>	<sup>1)</sup> min.	max.	H11			
[mm]													[kN]			[mm]		[mm]	[°C]	[g]	
8,3	25	9,65	21,5	10,05	8,75	25,7	36	27	30	49	87,5	21,5	1,5	1,2	0,5	1,5	15	8,3	250	223	<a href="#">22350.0614</a>

<sup>1)</sup> for a 5-fold safety against breakage

Application example

