

## Ball Lock Pins· self-locking, with button handle

22350.0240



### Product Description

For quick fastening, locking, adjusting, changing and securing. Quickly and easily unlockable for frequently repeated connections.

All versions are corrosion resistant. When using stainless steel 1.4542: high-strength, hardened, abrasion resistant pin with high load capacity.

Compact design with button handle.

### Material

#### Pin part

- Stainless steel 1.4542, precipitation-hardened

#### Handle

- Aluminium, black similar to RAL 9005

#### Press button

- Stainless steel, black

#### Spring

- Stainless steel

### Operation

The balls are unlocked by pressing the knob.

### Characteristic

Types from stainless steel 1.4542 with marking below the balls.

### More information

### Notes

Special types on request.

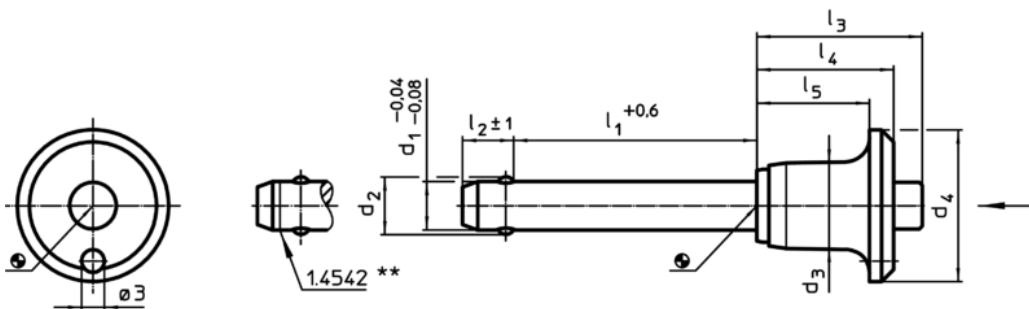
### Accessories

Can easily be fitted with retaining cable EH 22400.

### Further products

- Locating Bushings, for ball lock pins and socket pins
- Locating Bushings, with flange, for ball lock pins and socket pins
- Retaining Cables
- Positioning Bushings, with collar
- Positioning Bushings, without collar
- Ball Lock Pins with Button Handle, single acting - according to NASM / MS 17984

### Drawing



\*\* Types from stainless steel 1.4542 with marking.

### Order information

| Dimensions             |                |                |                |                |                   |                |                |                |     | Location hole | Temperature |     | Weight | Shearing resistance, double <sup>1)</sup> min. | Art. No. |            |
|------------------------|----------------|----------------|----------------|----------------|-------------------|----------------|----------------|----------------|-----|---------------|-------------|-----|--------|--|----------|------------|
| d <sub>1</sub>         | l <sub>1</sub> | d <sub>2</sub> | d <sub>3</sub> | d <sub>4</sub> | l <sub>2</sub> ±1 | l <sub>3</sub> | l <sub>4</sub> | l <sub>5</sub> | H11 | min.          | max.        | [g] |        |  |          | [kN]       |
| [mm]                   |                |                |                |                |                   |                |                |                |     | [mm]          | [°C]        |     |        |  |          |            |
| -0,04<br>-0,08         | +0,6           |                |                |                | ±1                |                |                |                |     |               |             |     |        |  |          |            |
| <b>Stainless steel</b> |                |                |                |                |                   |                |                |                |     |               |             |     |        |  |          |            |
| 8                      | 50             | 9,5            | 14,1           | 25             | 8,2               | 27,3           | 22,6           | 18,6           | 8   |               | -30         | 150 | 40     | 63   |          | 22350.0240 |

<sup>1)</sup> Shearing resistance similar to DIN 50141

Application example

