

## Ball Lock Pins· self-locking, with button handle

22350.0226



### Product Description

For quick fastening, locking, adjusting, changing and securing. Quickly and easily unlockable for frequently repeated connections.

All versions are corrosion resistant. When using stainless steel 1.4542: high-strength, hardened, abrasion resistant pin with high load capacity.

Compact design with button handle.

### Material

#### Pin part

- Stainless steel 1.4542, precipitation-hardened

#### Handle

- Aluminium, black similar to RAL 9005

#### Press button

- Stainless steel, black

#### Spring

- Stainless steel

### Operation

The balls are unlocked by pressing the knob.

### Characteristic

Types from stainless steel 1.4542 with marking below the balls.

### More information

### Notes

Special types on request.

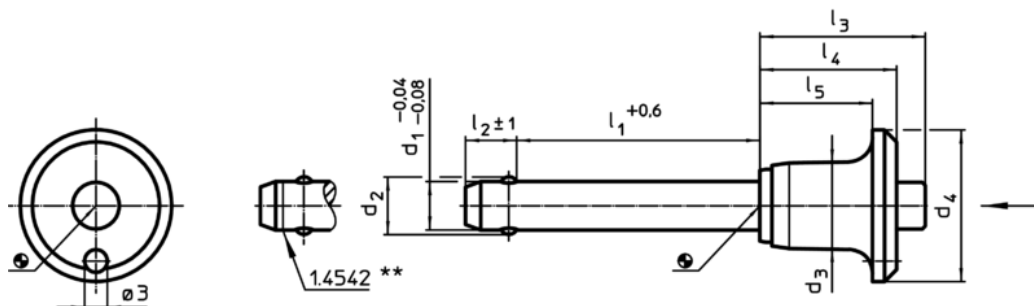
### Accessories

Can easily be fitted with retaining cable EH 22400.

### Further products

- Locating Bushings, for ball lock pins and socket pins
- Locating Bushings, with flange, for ball lock pins and socket pins
- Retaining Cables
- Positioning Bushings, with collar
- Positioning Bushings, without collar
- Ball Lock Pins with Button Handle, single acting - according to NASM / MS 17984

### Drawing



\*\* Types from stainless steel 1.4542 with marking.

### Order information

Dimensions									Location hole	min.   max.		Shearing resistance, double <sup>1)</sup> min.	Art. No.	
d <sub>1</sub>	l <sub>1</sub>	d <sub>2</sub>	d <sub>3</sub>	d <sub>4</sub>	l <sub>2</sub> ±1	l <sub>3</sub>	l <sub>4</sub>	l <sub>5</sub>	H11	[°C]	[g]			[kN]
-0,04 -0,08	+0,6													
[mm]														
Stainless steel														
6	30	7	11,3	20	7	20,7	17,6	14,6	6	-30	150	17	35	22350.0226

<sup>1)</sup> Shearing resistance similar to DIN 50141

Application example

