

Key Ring Ball Lock Pins

22340.0905



Product Description

The key ring ball lock pin enables quick and easy locking and / or connection of parts and tools.

Material

Pin

- Stainless steel 1.4305

Bushing

- Stainless steel 1.4305

Rings

- Stainless steel

Spring

- Stainless steel

Operation

The balls are unlocked by pressing the knob.

More information

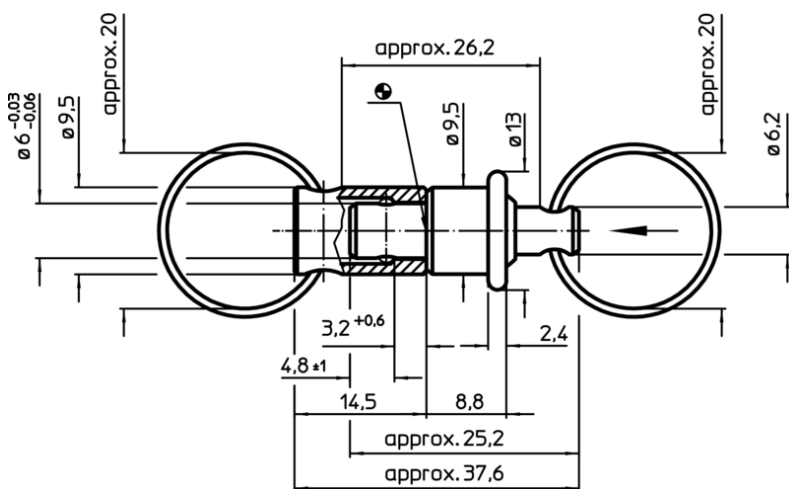
Notes

Pin and bushing separately on request.

Further products

- Sling Swivels, self-locking

Drawing



Order information

Load capacity max. [N]	max. [°C]	[g]	Art. No.
30	250	15	22340.0905

Application example

