

Ball Lock Pins· self-locking, with L-handle

22340.0133



Product Description

For quick fastening, locking, adjusting, changing and securing. Quickly and easily unlockable for frequently repeated connections.

All versions are corrosion resistant. When using stainless steel 1.4542: high-strength, hardened, abrasion resistant pin with high load capacity.

Version with ergonomic grip.

Material

Pin part

- Stainless steel 1.4305

Handle

- Aluminium, black similar to RAL 9005

Press button

- Stainless steel, black

Spring

- Stainless steel

Operation

The balls are unlocked by pressing the knob.

Characteristic

Types from stainless steel 1.4542 with marking below the balls.

More information

Notes

Special types on request.

- This product is also available in INCH dimensions.

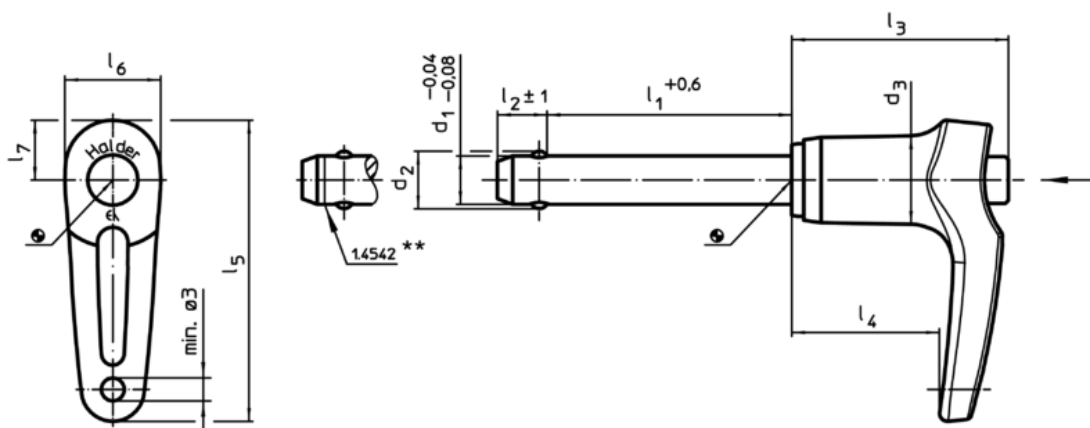
Accessories

Can easily be fitted with retaining cable EH 22400.

Further products

- Locating Bushings, for ball lock pins and socket pins
- Locating Bushings, with flange, for ball lock pins and socket pins
- Retaining Cables
- Positioning Bushings, with collar
- Positioning Bushings, without collar
- Ball Lock Pins with L-handle, single acting - according to NASM / MS 17986

Drawing



** Types from stainless steel 1.4542 with marking.

Order information

| Dimensions | | | | | | | | | | Location hole | min. max. | | [g] | Shearing resistance, double ¹⁾ min. [kN] | Art. No. | |
|-----------------|----------------|----------------|----------------|----------------|----------------|----------------|----------------|----------------|----------------|---------------|-------------|------|-----|---|------------|--|
| d ₁ | l ₁ | d ₂ | d ₃ | l ₂ | l ₃ | l ₄ | l ₅ | l ₆ | l ₇ | H11 | [°C] | | | | | |
| -0,04 -0,08 | +0,6 | | | ±1 | | | | | | | [mm] | [°C] | | [g] | [kN] | |
| Stainless steel | | | | | | | | | | | | | | | | |
| 8 | 15 | 9,5 | 14,7 | 8,2 | 35,8 | 24,4 | 49,7 | 15,8 | 9,9 | 8 | -30 | 150 | 35 | 38 | 22340.0133 | |

¹⁾ Shearing resistance similar to DIN 50141

Application example

