

Ball Lock Pins· self-locking, with T-handle

22340.0076



Product Description

For quick fastening, locking, adjusting, changing and securing. Quickly and easily unlockable for frequently repeated connections.

All versions are corrosion resistant. When using stainless steel 1.4542: high-strength, hardened, abrasion resistant pin with high load capacity.

Version with ergonomic grip.

Material

Pin part

- Stainless steel 1.4305

Handle

- Aluminium, black similar to RAL 9005

Press button

- Stainless steel, black

Spring

- Stainless steel

Operation

The balls are unlocked by pressing the knob.

Characteristic

Types from stainless steel 1.4542 with marking below the balls.

More information

Notes

Special types on request.

- This product is also available in INCH dimensions.

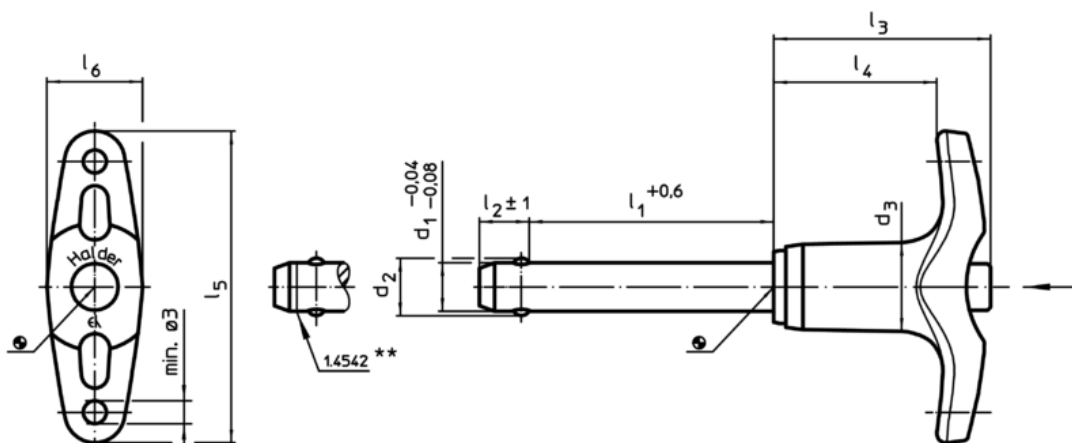
Accessories

Can easily be fitted with retaining cable EH 22400.

Further products

- Locating Bushings, for ball lock pins and socket pins
- Locating Bushings, with flange, for ball lock pins and socket pins
- Retaining Cables
- Positioning Bushings, with collar
- Positioning Bushings, without collar
- Ball Lock Pins with T-handle, single acting - according to NASM / MS 17985

Drawing



** Types from stainless steel 1.4542 with marking.

Order information

Dimensions									Location hole H11	Temperature		Weight [g]	Shearing resistance, double ¹⁾ min. [kN]	Art. No.
d ₁	l ₁	d ₂	d ₃	l ₂ ±1	l ₃	l ₄	l ₅	l ₆		min.	max.			
[mm]									[mm]	[°C]				
Stainless steel														
12	80	14,5	18,2	10,6	35,1	25,3	59,1	20,2	12	-30	150	119	87	22340.0076

¹⁾ Shearing resistance similar to DIN 50141

Application example

