

Sling Swivels· self-locking

22330.0120



Product Description

Parts can be connected fast and easy with the sling swivel in combination with the locating bushings.
As a robust tool, the item is made from stainless steel. There is an uncoated variant available in addition to the black standard version. The sling swivel is maintenance-free, soundless and secured against loss.
Log on to www.push-and-go.eu for such additional products such as SLIM sling swivel, SLIM bushings and clamp collars (for shotguns). You can also place orders directly with PUSH & GO.

Material

Pin part

- Stainless steel 1.4305

Spring

- Stainless steel

Operation

The balls are unlocked by pressing the knob.

Characteristic

At $l_2 = 1,5$: marking line

More information

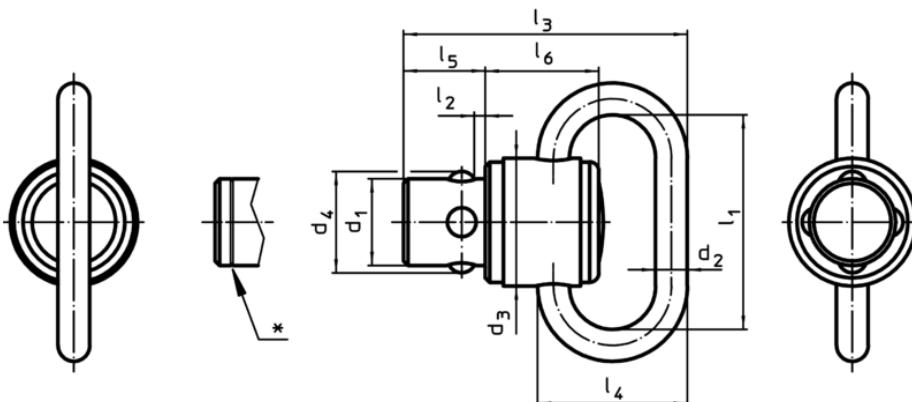
Notes

Special types on request.

Further products

- Sling Swivel Ports, for sling swivels
- Key Ring Ball Lock Pins

Drawing



* $l_2 = 1,5$ with marking

Order information

Nominal diameter d_1 [mm]	Dimensions										Load capacity max. [kN]	min. max. [°C]		[g]	Art. No.
	l_1	l_2	d_2	d_3	d_4	l_3	l_4	l_5	l_6	[mm]					
Stainless steel															
9,5	40	1	4,5	14	11,1	36,6	23	9	12,5	2	-50	150	34	22330.0120	

Application example

