

C-Washers · DIN 6372
22290.0036

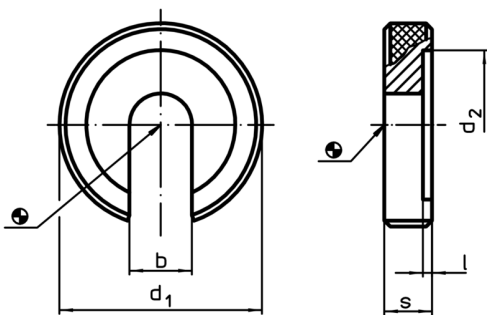
Product Description



Material

- Heat-treated steel, tempered, blackened

Drawing



Order information

Nominal size [mm]	b	d ₁	Dimensions			[g]	Art. No.
			d ₂ [mm]	l	s		
36	37	100	75	2,5	20	796	22290.0036

Application example

