

C-Washers · DIN 6372
22290.0024

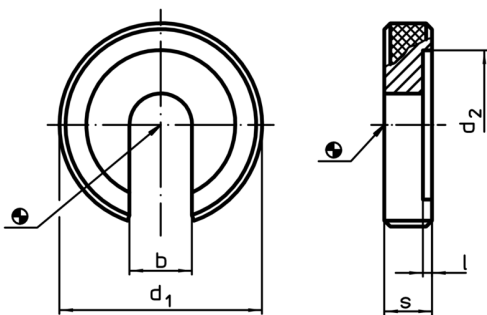
Product Description



Material

- Heat-treated steel, tempered, blackened

Drawing



Order information

Nominal size [mm]	Dimensions					[g]	Art. No.
	b	d ₁	d ₂ [mm]	l	s		
24	25	75	52	2	16	376	22290.0024

Application example

