

C-Washers · DIN 6372
22290.0016

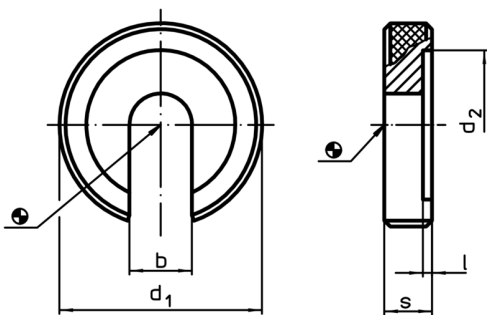
Product Description



Material

- Heat-treated steel, tempered, blackened

Drawing



Order information

Nominal size [mm]	Dimensions					[g]	Art. No.
	b	d ₁	d ₂ [mm]	l	s		
16	17	56	37	1,8	12	164	22290.0016

Application example

