

C-Washers · DIN 6372
22290.0008

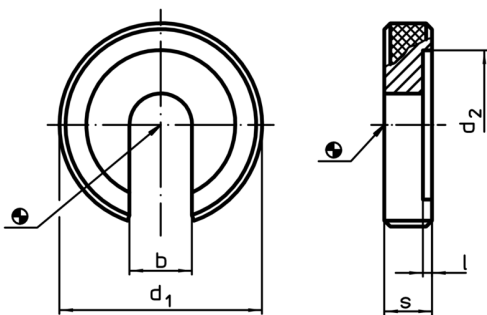
Product Description



Material

- Heat-treated steel, tempered, blackened

Drawing



Order information

Nominal size [mm]	Dimensions					Art. No.
	b	d ₁	d ₂ [mm]	l	s	
8	8,4	28	21	1	7	22290.0008

Application example

