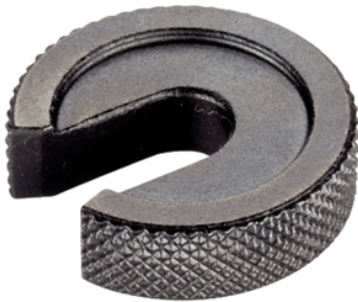


C-Washers · DIN 6372
22290.0006

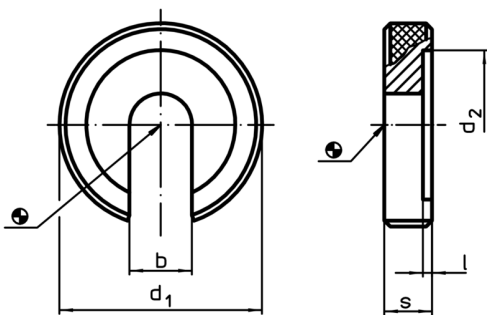
Product Description



Material

- Heat-treated steel, tempered, blackened

Drawing



Order information

Nominal size [mm]	Dimensions					Art. No.
	b	d ₁	d ₂ [mm]	l	s	
6	6,4	22	16	0,8	6	22290.0006

Application example

