

Captive C-Washers· DIN 6371 with countersunk screw DIN 923

22280.0020



Product Description

Material

Countersunk screw

- Steel, blackened, quality 5.8

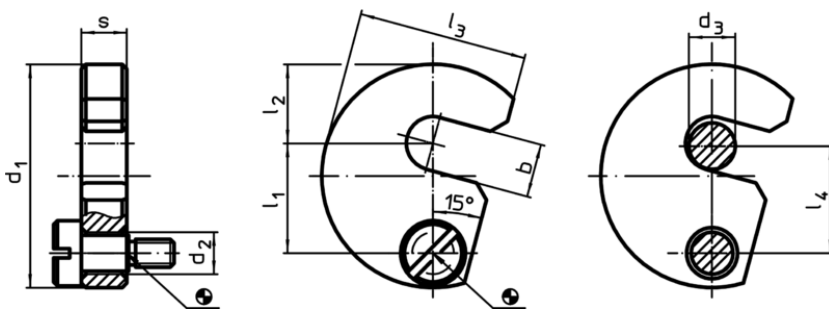
Captive C-Washer

- Heat-treated steel, tempered, blackened


Assembly

The captive C-washers can be installed using the included bolt. You can select either clockwise or anti-clockwise rotation.

Drawing



Order information

Nominal size d_3 [mm]	b	d_1	d_2	Dimensions					s -0,2	Suitable screw [mm]	 [g]	Art. No.
				l_1	l_2	l_3	l_4	[mm]				
20	21,5	74	11	36,6	28	55	36	11,8	M8 x 12	265	22280.0020	

Application example

