

Captive C-Washers· DIN 6371 with countersunk screw DIN 923

22280.0008



Product Description

Material

Countersunk screw

- Steel, blackened, quality 5.8

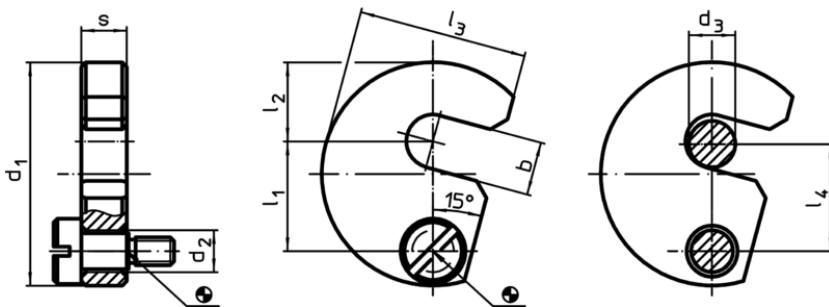
Captive C-Washer

- Heat-treated steel, tempered, blackened

Assembly

The captive C-washers can be installed using the included bolt. You can select either clockwise or anti-clockwise rotation.

Drawing



Order information

Nominal size d_3 [mm]	Dimensions [mm]								Suitable screw [mm]	[g]	Art. No.
	b	d_1	d_2	l_1	l_2	l_3	l_4	s -0,2			
8	9,5	43	9	21,6	14	32,5	21	9,8	M6 x 10	81	22280.0008

Application example

