

Captive C-Washers · DIN 6371 with countersunk screw DIN 923

22280.0006



Product Description

Material

Countersunk screw

- Steel, blackened, quality 5.8

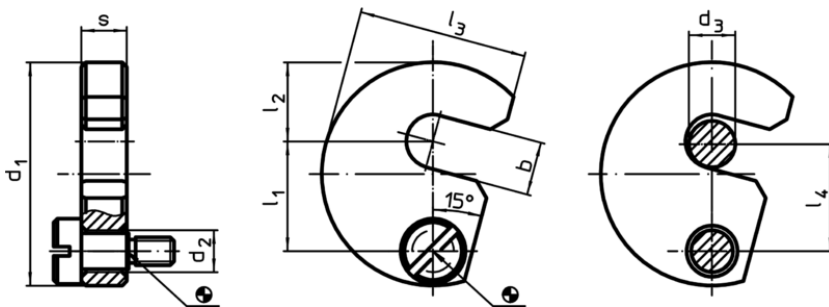
Captive C-Washer

- Heat-treated steel, tempered, blackened

Assembly

The captive C-washers can be installed using the included bolt. You can select either clockwise or anti-clockwise rotation.

Drawing



Order information

Nominal size d_3 [mm]	b	d_1	d_2	Dimensions [mm]					s -0,2	Suitable screw [mm]	[g]	Art. No.
				l_1	l_2	l_3	l_4					
6	7,5	38	9	19,6	11	29	19	9,8	M6 x 10	66	22280.0006	

Application example

