

Clamping Catches

22260.0351



Product Description

Clamping catches have a round running taper surface and enable fast and safe clamping and releasing with a relatively large adjustment range and high tensioning force. Due to the small gradient angle of the taper surface, the clamping catch is self-locking.

Material

Body

- Stainless steel 1.4305, nickel-plated

Screw

- Stainless steel 1.4021, heat-treated, nickel-plated

Assembly

Fix with screw bolt M 10 (SW 6). Ensure a tightening torque of max. 40 Nm.

Operation

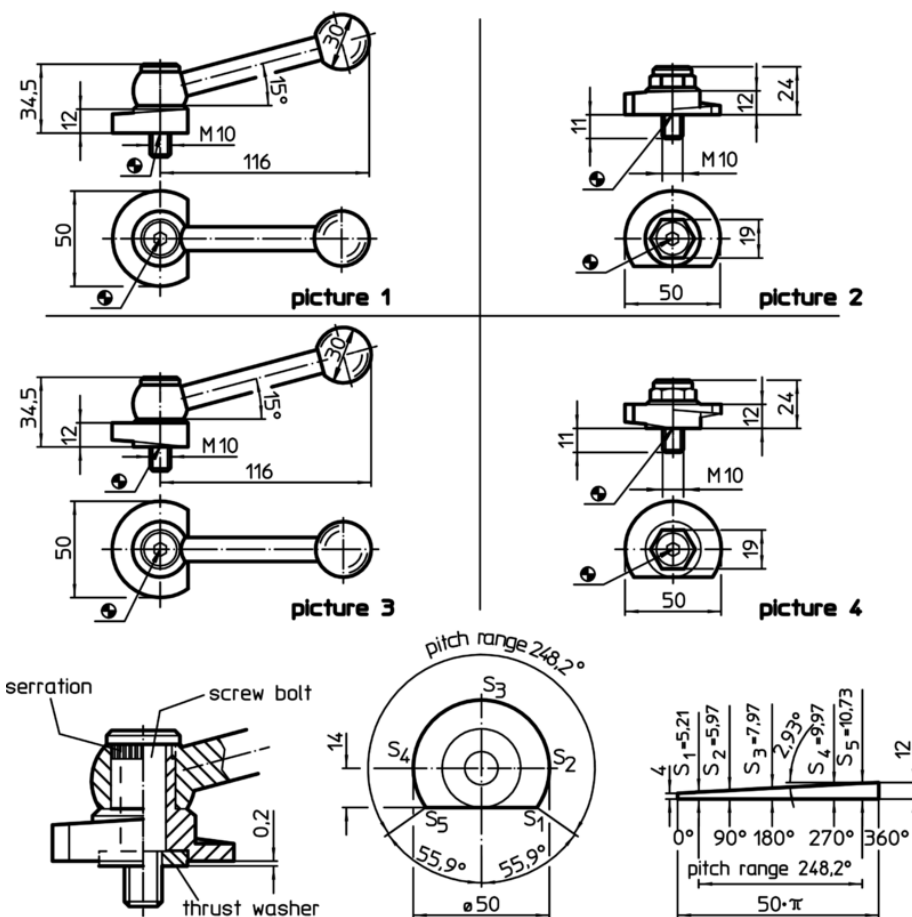
The screw bolt and the washer are adjustable. Once screwed in, the clamping catch can easily be turned to the desired position. For Art. No. 22260.0250 / .0251 and 22260.0450 / .0451, the serration helps to put the clamping lever to the preferred position.

More information

Notes

Left turn type can be supplied on request.

Drawing



Order information

[g]	Art. No.
with clamping screw, pitch opposite to bearing surface – picture 2, Stainless steel	22260.0351
154	

Application example

