

Spring-Loaded Catches · DIN 6310 catches with spring
22200.0080

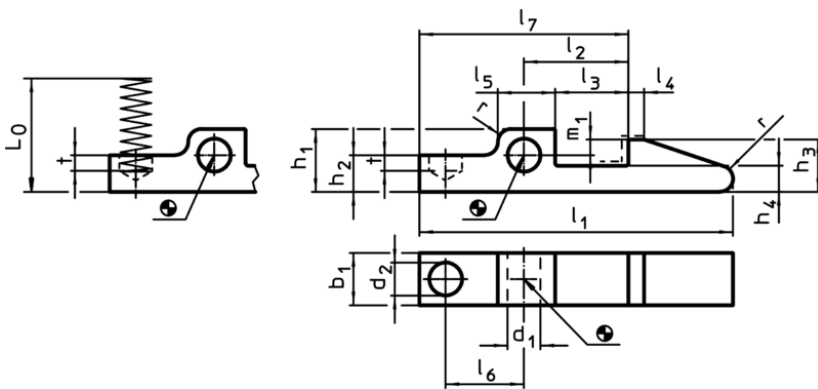
Product Description



Material

- Heat-treated steel, blackened. Hardened where shown by ___ line.

Drawing



Hardened where shown by ___ line.

Order information

Dimensions																		Spring rate R ~ [N/mm]	[g]	Art. No.
l_1	b_1 -0,2	d_1 E9	d_2	h_1	h_2	h_3	h_4	l_2 $\pm 0,1$	l_3	l_4	l_5	l_6	l_7	m_1	t	r	L_0 ~			
[mm]																				
80	14	6	8	15	9	14	7	30	22	5	14	23	60	5	5	4	25,1	4,8	80	22200.0080

Application example

