

Spring-Loaded Catches · DIN 6310 catches with spring
22200.0060

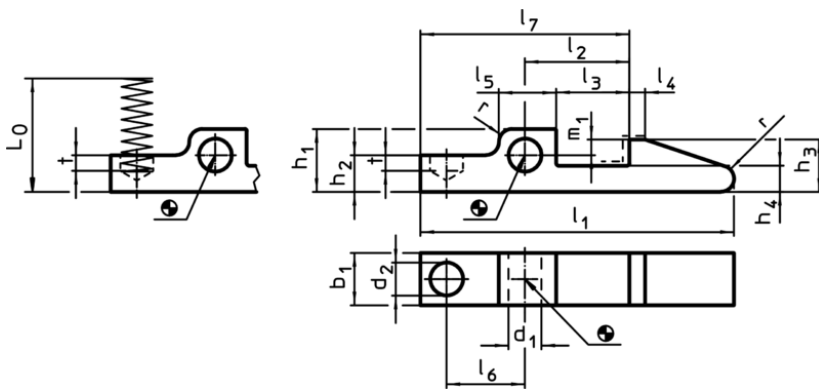
Product Description



Material

- Heat-treated steel, blackened. Hardened where shown by ___ line.

Drawing



Hardened where shown by ___ line.

Order information

Dimensions																	Spring rate R ~ [N/mm]	Art. No.		
l_1	b_1 -0,2	d_1 E9	d_2	h_1	h_2	h_3	h_4	l_2 $\pm 0,1$	l_3	l_4	l_5	l_6	l_7	m_1	t	r			L_0 ~	
[mm]																	[g]			
60	10	5	6,3	12	7	10	5	20	14	3	11	15	40	3	3	2,5	21,2	4	32	22200.0060

Application example

