

## Lateral Plungers with thread, with seal, with female thread

22150.1454



### Product Description

To be used for positioning and applying pressure, e.g. during painting and sandblasting. Sealed against chips and dirt.

#### Material

##### Seal

- CR

##### Body

- Steel, zinc-plated

##### Threaded washer

- Steel, blackened

##### Spring

- Stainless steel

#### Assembly

Formula for calculating the center distance for the mounting hole:

$$l_0 = z/2 + w + x,$$

$l_0$  = center distance,

$y$  = workpiece height,

$w$  = workpiece length,

$x$  = stroke,

$z$  = stop diameter

Calculation dimension  $x$  for workpieces:  $x = d_2/2 - s$

Lateral plungers are installed by screwing in by means of a mounting tool.

#### Characteristic

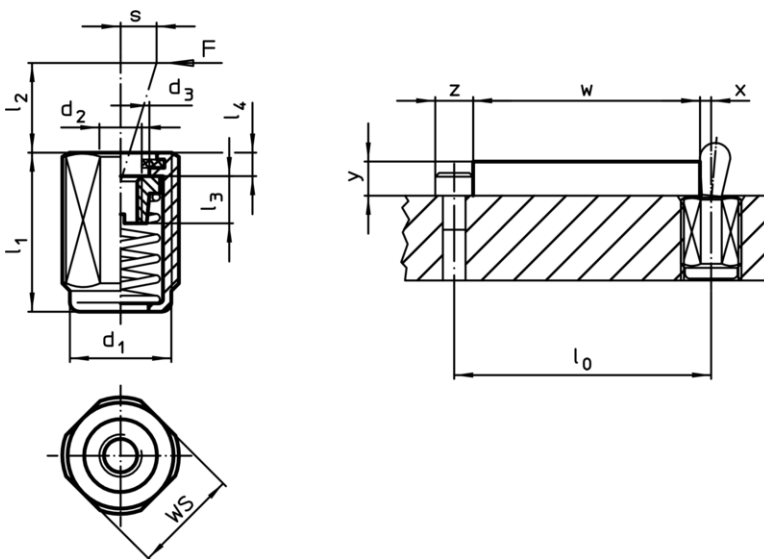
Light spring load = spring from stainless steel

#### More information

#### Notes

Individual set screws can be screwed in the plate with threaded hole.

### Drawing




### Order information

Dimensions		Spring load F max. <sup>1)</sup> ~ [N]	d <sub>2</sub>	d <sub>3</sub>	Dimensions			Stroke s [mm]	WS [mm]	max. [°C]	[g]	Art. No.
d <sub>1</sub> [mm]	l <sub>1</sub> -2				l <sub>2</sub>	l <sub>3</sub>	l <sub>4</sub>					
<b>light spring load</b>												
M18 x 1,5	31,5	100	M6	10,1	11,5	7,5	2,3	3,2	16	110	23,1	22150.1454

<sup>1)</sup> statistical average value

Accessories

	Dimensions $d_1$ [mm]	 [g]	Art. No.
assembly tool	M18 x 1,5	137	22150.0822

Application example

