

Lateral Plungers with thread, with seal, with female thread

22150.1435



Product Description

To be used for positioning and applying pressure, e.g. during painting and sandblasting. Sealed against chips and dirt.

Material

Seal

- CR

Body

- Steel, zinc-plated

Threaded washer

- Steel, blackened

Spring

- Steel, blackened

Assembly

Formula for calculating the center distance for the mounting hole:

$$l_0 = z/2 + w + x,$$

l_0 = center distance,

y = workpiece height,

w = workpiece length,

x = stroke,

z = stop diameter

Calculation dimension x for workpieces: $x = d_2/2 - s$

Lateral plungers are installed by screwing in by means of a mounting tool.

Characteristic

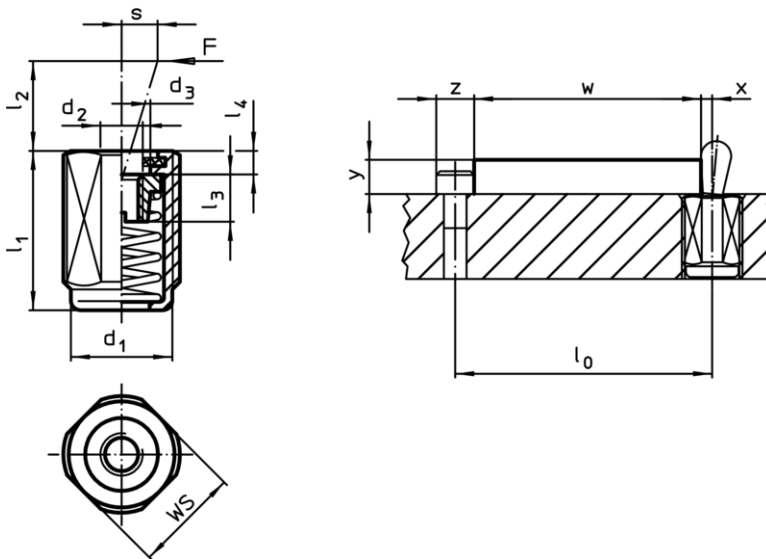
Standard spring load = spring from steel, blackened

More information

Notes

Individual set screws can be screwed in the plate with threaded hole.

Drawing




Order information

Dimensions		Spring load F max. ¹⁾ ~ [N]	Dimensions					Stroke s [mm]	WS [mm]	max. [°C]	[g]	Art. No.
d ₁	l ₁ -2		d ₂	d ₃	l ₂	l ₃	l ₄					
[mm]			[mm]									
standard spring load												
M12	19	75	M4	6,1	7,5	4,5	2	2	10	110	5,5	22150.1435

¹⁾ statistical average value

Accessories

	Dimensions d ₁ [mm]	 [g]	Art. No.
assembly tool	M12	76	22150.0820

Application example

