

Lateral Plungers with thread, without seal, with female thread

22150.1338



Product Description

To be used for positioning and applying pressure, e.g. during painting and sandblasting.

Material

Body

- Steel, zinc-plated

Threaded washer

- Steel, blackened

Spring

- Stainless steel

Assembly

Formula for calculating the center distance for the mounting hole:

$$l_0 = z/2 + w + x,$$

l_0 = center distance,

y = workpiece height,

w = workpiece length,

x = stroke,

z = stop diameter

Calculation dimension x for workpieces: $x = d_2/2 - s$

Lateral plungers are installed by screwing in by means of a mounting tool.

Characteristic

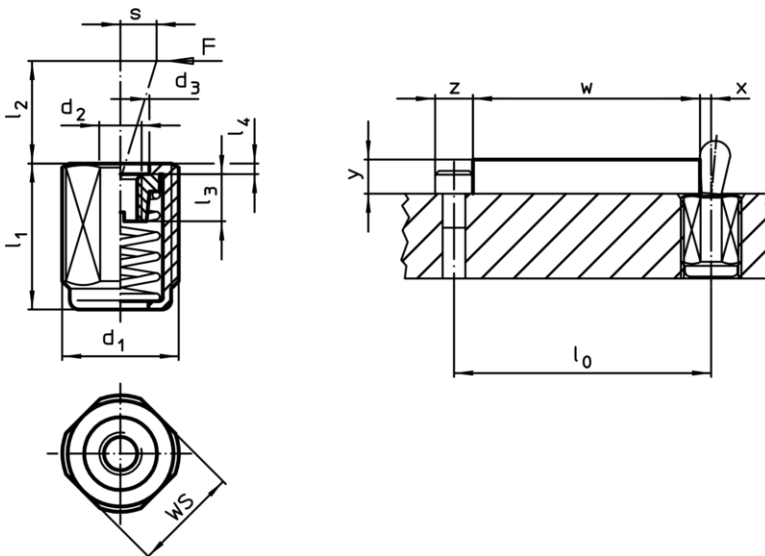
Light spring load = spring from stainless steel

More information

Notes

Individual set screws can be screwed in the plate with threaded hole.

Drawing




Order information

Dimensions		Spring load F max. ¹⁾ ~ [N]	d ₂	d ₃	Dimensions			Stroke s [mm]	WS [mm]	max. [°C]	[g]	Art. No.
d ₁	l ₁ -2				l ₂	l ₃	l ₄					
[mm]					[mm]							
light spring load												
M12	26,5	40	M4	6,1	7,5	4,5	1,5	2	10	250	6,9	22150.1338

¹⁾ statistical average value

Accessories

Dimensions d ₁ [mm]	 [g]	Art. No.
assembly tool		
M12	76	22150.0820

Application example

