

Lateral Plungers with thread, without seal, with female thread

22150.1310



Product Description

To be used for positioning and applying pressure, e.g. during painting and sandblasting.

Material

Body

- Steel, zinc-plated

Threaded washer

- Steel, blackened

Spring

- Stainless steel

Assembly

Formula for calculating the center distance for the mounting hole:

$$l_0 = z/2 + w + x,$$

l_0 = center distance,

y = workpiece height,

w = workpiece length,

x = stroke,

z = stop diameter

Calculation dimension x for workpieces: $x = d_2/2 - s$

Lateral plungers are installed by screwing in by means of a mounting tool.

Characteristic

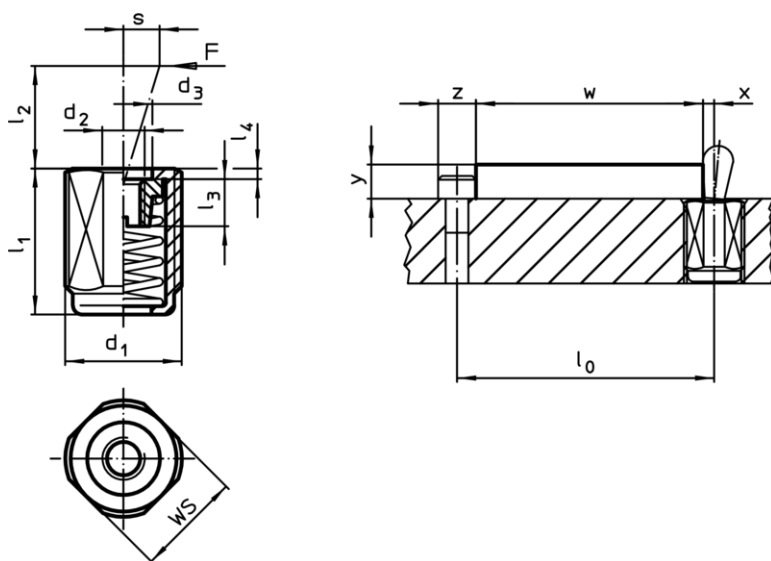
Light spring load = spring from stainless steel

More information

Notes

Individual set screws can be screwed in the plate with threaded hole.

Drawing




Order information

| Dimensions | | Spring load F max. ¹⁾ ~ [N] | d ₂ | d ₃ | Dimensions | | | Stroke s [mm] | WS [mm] | max. [°C] | [g] | Art. No. |
|--------------------------|----------------------|--|----------------|----------------|----------------|----------------|----------------|---------------------|------------|--------------|-----|------------|
| d ₁ | l ₁ -2 | | | | l ₂ | l ₃ | l ₄ | | | | | |
| [mm] | | | | | [mm] | | | | | | | |
| light spring load | | | | | | | | | | | | |
| M12 | 11,5 | 20 | M4 | 6,3 | 4 | 4,5 | 1,5 | 1,6 | 10 | 250 | 3,2 | 22150.1310 |

¹⁾ statistical average value

Accessories

| Dimensions d ₁ [mm] |  [g] | Art. No. |
|--------------------------------------|--|------------|
| assembly tool | | |
| M12 | 76 | 22150.0820 |

Application example

