

## Lateral Plungers· smooth, with seal, with female thread

22150.1127



### Product Description

To be used for positioning and applying pressure, e.g. during painting and sandblasting. Sealed against chips and dirt.

#### Material

##### Seal

- CR

##### Body

- Aluminium

##### Threaded washer

- Steel, blackened

##### Spring

- Steel, zinc-plated by galvanization

#### Assembly

Formula for calculating the center distance for the mounting hole:

$$l_0 = z/2 + w + x,$$

$l_0$  = center distance,

$y$  = workpiece height,

$w$  = workpiece length,

$x$  = stroke,

$z$  = stop diameter

Calculation dimension  $x$  for workpieces:  $x =$

$$d_2/2 - s$$

Installation by pressing in.

#### Characteristic

Heavy spring load = spring from steel, zinc-plated by galvanization

#### More information

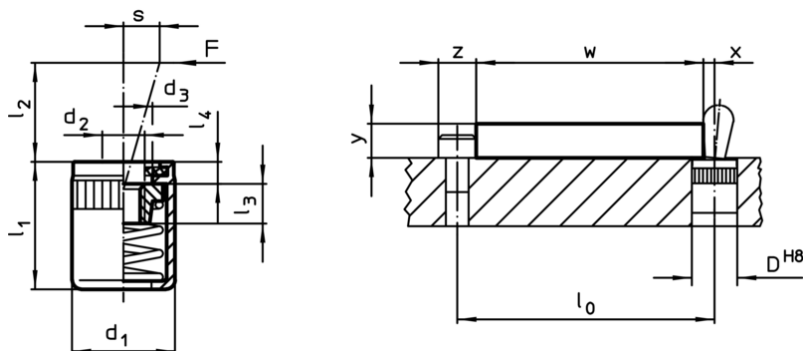
#### Notes

Individual set screws can be screwed in the plate with threaded hole.

#### Further products

- Eccentric Mounting Bushings, for lateral plungers, smooth

### Drawing





### Order information

Dimensions		Spring load F max. <sup>1)</sup> [N]	d <sub>3</sub>	l <sub>1</sub> -1	Dimensions			Stroke s [mm]	Location hole D H8 [mm]	max. [°C]	g	Art. No.
d <sub>1</sub>	d <sub>2</sub>				l <sub>2</sub>	l <sub>3</sub>	l <sub>4</sub>					
[mm]	[mm]				[mm]	[mm]	[mm]	[mm]	[°C]	[g]		
10	M4	100	6,3	12	7,5	4,5	1,8	2	10	110	2,5	22150.1127

<sup>1)</sup> statistical average value

Accessories

	Dimensions d <sub>1</sub> [mm]	 [g]	Art. No.
assembly tool			
	10	49	<a href="#">22150.0831</a>