

Lateral Plungers · smooth, without seal, with female thread

22150.1027



Product Description

To be used for positioning and applying pressure, e.g. during painting and sandblasting.

Material

Body

- Aluminium

Threaded washer

- Steel, blackened

Spring

- Steel, zinc-plated by galvanization

Assembly

Formula for calculating the center distance for the mounting hole:

$$l_0 = z/2 + w + x,$$

l_0 = center distance,

y = workpiece height,

w = workpiece length,

x = stroke,

z = stop diameter

Calculation dimension x for workpieces: $x = d_2/2 - s$

Installation by pressing in.

Characteristic

Heavy spring load = spring from steel, zinc-plated by galvanization

More information

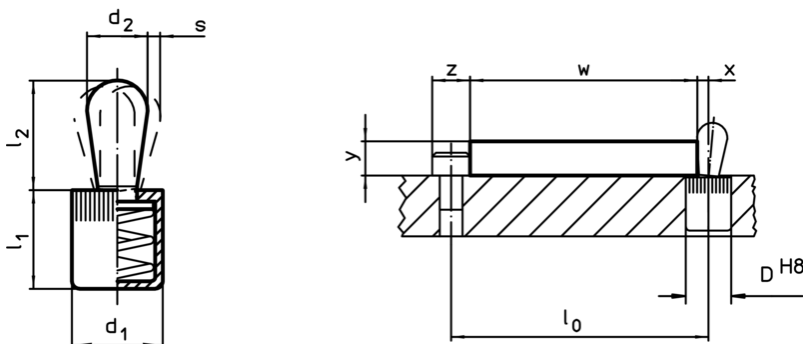
Notes

Individual set screws can be screwed in the plate with threaded hole.

Further products

- Eccentric Mounting Bushings, for lateral plungers, smooth

Drawing





Order information

Dimensions		Spring load F max. ¹⁾ ~ [N]	d ₃	l ₁ -1	Dimensions			Stroke s [mm]	Location hole D H8 [mm]	max. [°C]	g	Art. No.
d ₁	d ₂				l ₂	l ₃	l ₄					
[mm]	[mm]	[N]			[mm]			[mm]	[°C]	[g]		
10	M4	100	6,3	11	7,5	4,5	1,2	2	10	250	2,5	22150.1027

¹⁾ statistical average value

Accessories

	Dimensions d ₁ [mm]	 [g]	Art. No.
assembly tool			
	10	49	22150.0831