

Eccentric Mounting Bushings• for lateral plungers, smooth

22150.0810



Product Description

The eccentric is used in conjunction with smooth lateral plungers EH 22150. for positioning or clamping workpieces with large tolerances.

Material

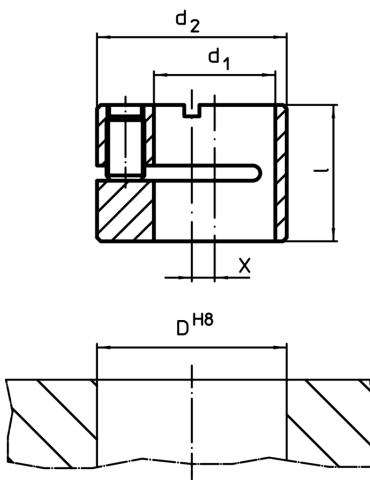
Body

- Steel, blackened

Assembly

The eccentric is fitted and positioned by clamping with a threaded pin.

Drawing



Order information

Dimensions				Location hole	[g]	Art. No.
d_1 H7	d_2 h9	l	x	D H8		
[mm]				[mm]		
10	16	11,9	2	16	9,5	22150.0810

Application example

