

Lateral Plungers with thread, with seal

22150.0454



Product Description

To be used for positioning and applying pressure, e.g. during painting and sandblasting. Sealed against chips and dirt.

Material

Seal

- CR

Body

- Steel, zinc-plated by galvanization

Spring

- Stainless steel

Pin

- Steel, case-hardened, zinc-plated by galvanization

Assembly

Lateral plungers are installed by screwing in by means of a mounting tool.
Formula for calculating the center distance for the mounting hole:

$$l_0 = z/2 + w + x,$$

l_0 = center distance,

y = workpiece height,

w = workpiece length,

x = coordinate dimension,

s = stroke,

z = stop diameter

Calculation dimension x :

y greater than or equal to $l_2 - d_2/2$, then $x = d_2/2 - s$

or

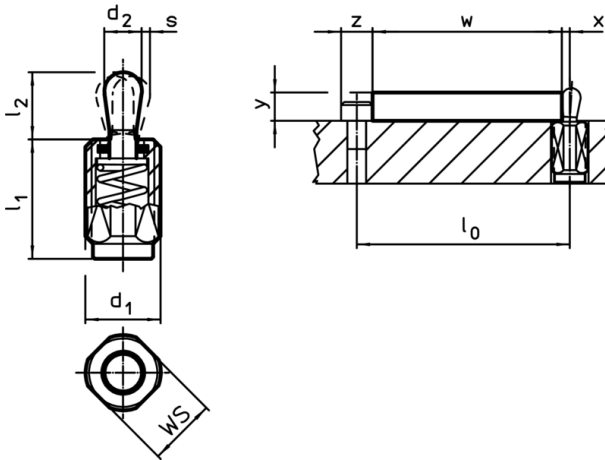
y smaller than $l_2 - d_2/2$, then $x =$

$$d_2/2 - s - [(l_2 - d_2/2 - y) * 0,123]$$

Characteristic

Light spring load = spring from stainless steel

Drawing




Order information

d ₁	Dimensions		d ₂	l ₂	Stroke s	WS	🌡️ max.	🏋️ [g]	Art. No.
	l ₁ -2	Spring load F max. ¹⁾ ~ [N]							
[mm]			[mm]		[mm]	[mm]	[°C]		
Pin: Steel/light spring load									
M18 x 1,5	31,5	100	10	16	1,6	16	110	28	22150.0454

¹⁾ statistical average value

Accessories

	Dimensions d_1 [mm]	 [g]	Art. No.
assembly tool	M18 x 1,5	137	22150.0822

Application example

