

## Lateral Plungers with thread, with seal

22150.0410



### Product Description

To be used for positioning and applying pressure, e.g. during painting and sandblasting. Sealed against chips and dirt.

#### Material

##### Seal

- CR

##### Body

- Steel, zinc-plated by galvanization

##### Spring

- Stainless steel

##### Pin

- Steel, case-hardened, zinc-plated by galvanization

#### Assembly

Lateral plungers are installed by screwing in by means of a mounting tool.  
Formula for calculating the center distance for the mounting hole:

$$l_0 = z/2 + w + x,$$

$l_0$  = center distance,

$y$  = workpiece height,

$w$  = workpiece length,

$x$  = coordinate dimension,

$s$  = stroke,

$z$  = stop diameter

Calculation dimension  $x$ :

$y$  greater than or equal to  $l_2 - d_2/2$ , then  $x = d_2/2 - s$

or

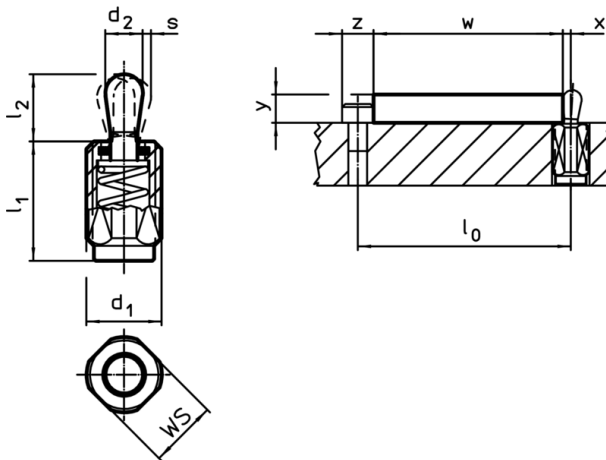
$y$  smaller than  $l_2 - d_2/2$ , then  $x =$

$$d_2/2 - s - [(l_2 - d_2/2 - y) * 0,123]$$

#### Characteristic

Light spring load = spring from stainless steel

### Drawing




### Order information

d <sub>1</sub>	l <sub>1</sub> -2	Spring load F max. <sup>1)</sup> ~ [N]	Dimensions		Stroke s [mm]	WS [mm]	max. [°C]	WS [g]	Art. No.
			d <sub>2</sub>	l <sub>2</sub>					
[mm]			[mm]						
M12	11,5	20	5	6	0,8	10	110	3,8	22150.0410

<sup>1)</sup> statistical average value

Accessories

	Dimensions $d_1$ [mm]	 [g]	Art. No.
assembly tool			
	M12	76	22150.0820

Application example

