

## Lateral Plungers with plastic spring and pin

22150.0232



### Product Description

To be used for positioning and applying pressure, e.g. during painting and sandblasting.

#### Material

##### Spring

- Plastic

##### Pin

- Thermoplastic POM, white

#### Assembly

Moistening the body allows for easier installation.

Installation by pressing in.

Formula for calculating the center distance for the mounting hole:

$$l_0 = z/2 + w + x,$$

$l_0$  = center distance,

$y$  = workpiece height,

$w$  = workpiece length,

$x$  = coordinate dimension,

$s$  = stroke,

$z$  = stop diameter

Calculation dimension  $x$ :

$y$  greater than or equal to  $l_2 - d_2/2$ , then  $x = d_2/2 - s$

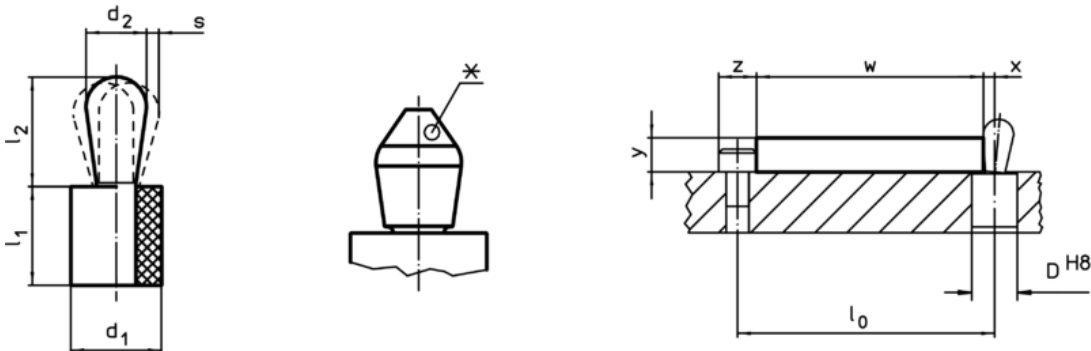
or

$y$  smaller than  $l_2 - d_2/2$ , then  $x = d_2/2 - s - [(l_2 - d_2/2 - y) * 0,123]$

#### Characteristic

Light spring load = blue spring

### Drawing





\*some sizes (see chart) have a deviating pin shape

### Order information

Dimensions		Spring load F max. <sup>1)</sup> ~ [N]	Dimensions		Stroke s [mm]	Location hole D H8 [mm]	max. [°C]	[g]	Art. No.
d <sub>1</sub>	d <sub>2</sub>		l <sub>1</sub> -1	l <sub>2</sub> ±0,5					
[mm]	[mm]	[mm]	[mm]	[mm]	[mm]	[°C]	[g]		
8	4	15	9	5,2	0,6	7,9	80	0,61	22150.0232

<sup>1)</sup> statistical average value

Accessories

	Dimensions d <sub>1</sub> [mm]	 [g]	Art. No.
assembly tool			
	8	47	22150.0841