

## Lateral Plungers· smooth, with seal

22150.0165



### Product Description

To be used for positioning and applying pressure, e.g. during painting and sandblasting. Sealed against chips and dirt.

#### Material

##### Seal

- CR

##### Body

- Aluminium

##### Spring

- Stainless steel

##### Pin

- Thermoplastic POM, white

#### Assembly

Installation by pressing in.

Formula for calculating the center distance for the mounting hole:

$$l_0 = z/2 + w + x,$$

$l_0$  = center distance,

$y$  = workpiece height,

$w$  = workpiece length,

$x$  = coordinate dimension,

$s$  = stroke,

$z$  = stop diameter

Calculation dimension  $x$ :

$y$  greater than or equal to  $l_2 - d_2/2$ , then  $x =$

$$d_2/2 - s$$

or

$y$  smaller than  $l_2 - d_2/2$ , then  $x =$

$$d_2/2 - s - [(l_2 - d_2/2 - y) * 0,123]$$

#### Characteristic

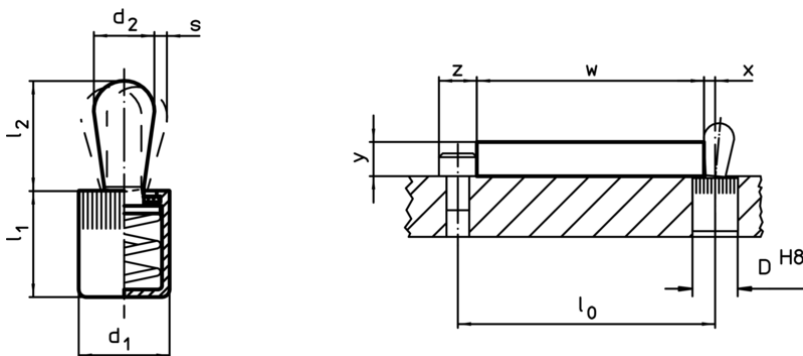
Light spring load = spring from stainless steel

#### More information

#### Further products

- Eccentric Mounting Bushings, for lateral plungers, smooth

### Drawing





### Order information

| Dimensions     |                | Spring load<br>F<br>max. <sup>1)</sup><br>~<br>[N] | Dimensions     |                | Stroke<br>s<br>[mm] | Location hole<br>D<br>H8<br>[mm] | 🌡️<br>max.<br>[°C] | 📦<br>[g] | Art. No.   |
|----------------|----------------|--|----------------|----------------|---------------------|----------------------------------|--------------------|----------|------------|
| d <sub>1</sub> | d <sub>2</sub> |  | l <sub>1</sub> | l <sub>2</sub> |                     |                                  |                    |          |            |
| [mm]           | [mm]           |  | [mm]           | [mm]           |                     |                                  |                    |          |            |
| 10             | 6              | 40   | 12             | 10             | 2                   | 10                               | 80                 | 1,6      | 22150.0165 |

Pin: Thermoplastic/light spring load

<sup>1)</sup> statistical average value

Accessories

|   | Dimensions<br>$d_1$<br>[mm] | <br>[g] | Art. No.                   |
|---|-----------------------------|--|----------------------------|
| <b>assembly tool</b>  |                             |  |                            |
|  | 10                          | 49   | <a href="#">22150.0831</a> |

Application example

