

Lateral Spring Plungers

22140.0014



Product Description

To be used for positioning and applying pressure, e.g. during painting and sandblasting.

Material

Ball

- Stainless steel, hardened

Body

- Free cutting steel, blackened

Spring

- Stainless steel

Assembly

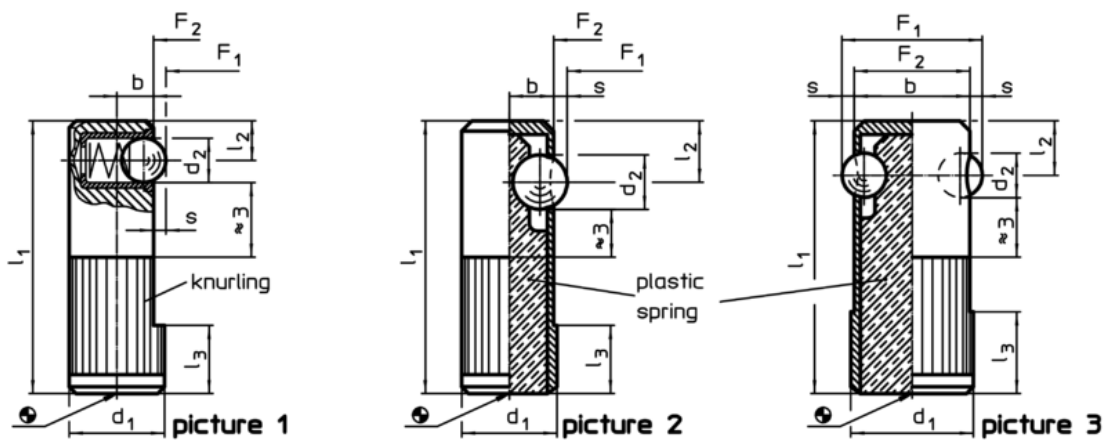
Insertion bore l_3 to be considered.

More information

Notes

Special types on request.

Drawing



Order information

Dimensions						Location hole H8	Stroke s	Spring load ¹⁾		Temperature		Weight [g]	Art. No.
d_1 +0,1	d_2	l_1	l_2	l_3	b			F_1	F_2	min.	max.		
[mm]						[mm]	[mm]	[N]	[°C]		[g]		
ball from stainless steel, standard spring load, one-sided – picture 1													
14	6,5	40	5,8	10	5,4	14	1,9	8	18	-30	50	43	22140.0014

¹⁾ statistical average value

Application example

