

Precision Index Plungers with cylindrical pin

22130.0070



Product Description

Precision index plungers together with bushings are a perfect combination for quick positioning and mounting.

The precise tolerance of both, the precision index plunger and the bushing, guarantees a high repeatability of these two elements.

Material

Pin

- Case-hardened steel, case-hardened, blackened and ground

Bushing

- Case-hardened steel, case-hardened, blackened and ground

Body

- Case-hardened steel, case-hardened, blackened and ground

Ball knob

- Thermoplastic, greyish black

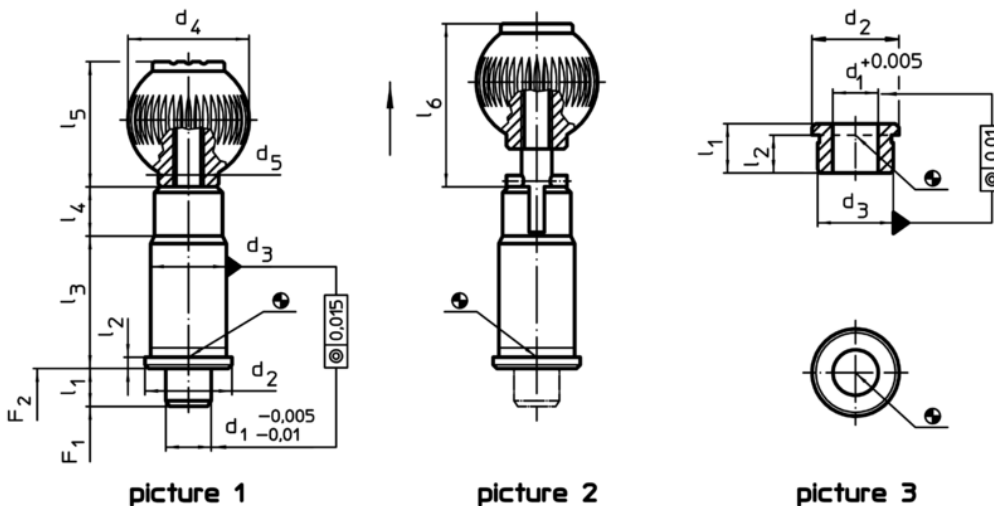
Assembly

To achieve precise setting, ball grip and index plunger have to be glued after assembly.

Operation

When using locking index plungers the knob is pulled out and turned 90°.

Drawing



Order information

| d ₁ | d ₂ | d ₃ | d ₄ | d ₅ | Dimensions | | | | | | Spring load ¹⁾ | | [g] | Art. No. | | |
|--------------------------|----------------|----------------|----------------|----------------|----------------|----------------|----------------|----------------|----------------|----------------|---------------------------|----------------|-----|------------|--|--|
| | | | | | l ₁ | l ₂ | l ₃ | l ₄ | l ₅ | l ₆ | F ₁ | F ₂ | | | | |
| -0,005 -0,01 | | n6 | | | min. | | | | | | | ~ | ~ | | | |
| [mm] | | | | | | | | | | | | | | | | |
| with locking – picture 2 | | | | | | | | | | | | | | | | |
| 20 | 33 | 30 | 40 | M10 | 10 | 3 | 50 | 13 | 41,5 | 53 | 36 | 63 | 350 | 22130.0070 | | |

¹⁾ statistical average value

Accessories

| d ₁ | d ₂ | Dimensions | | | [g] | Art. No. |
|---------------------------------|----------------|----------------|----------------|----------------|-----|------------|
| | | d ₃ | l ₁ | l ₂ | | |
| +0,005 | | n6 | min. | | | |
| [mm] | | | | | | |
| cylindrical bushing – picture 3 | | | | | | |
| 20 | 33 | 30 | 16 | 13,0 | 51 | 22130.0094 |

Application example

