

## Precision Index Plungers with cylindrical pin

22130.0066



### Product Description

Precision index plungers together with bushings are a perfect combination for quick positioning and mounting.

The precise tolerance of both, the precision index plunger and the bushing, guarantees a high repeatability of these two elements.

### Material

#### Pin

- Case-hardened steel, case-hardened, blackened and ground

#### Bushing

- Case-hardened steel, case-hardened, blackened and ground

#### Body

- Case-hardened steel, case-hardened, blackened and ground

#### Ball knob

- Thermoplastic, greyish black

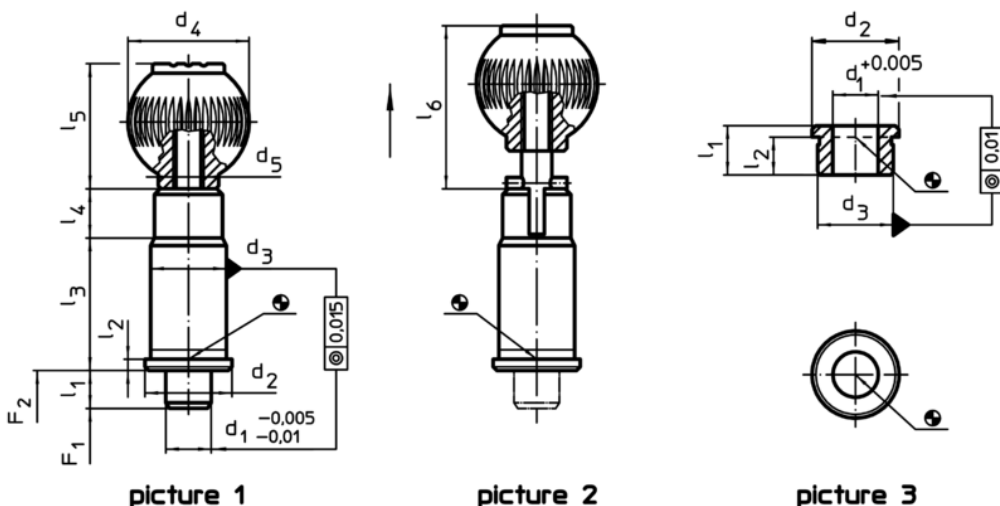
### Assembly

To achieve precise setting, ball grip and index plunger have to be glued after assembly.

### Operation

When using locking index plungers the knob is pulled out and turned 90°.

### Drawing



### Order information

Dimensions											Spring load <sup>1)</sup>		[g]	Art. No.
d <sub>1</sub>	d <sub>2</sub>	d <sub>3</sub>	d <sub>4</sub>	d <sub>5</sub>	l <sub>1</sub>	l <sub>2</sub>	l <sub>3</sub>	l <sub>4</sub>	l <sub>5</sub>	l <sub>6</sub>	F <sub>1</sub>	F <sub>2</sub>		
-0,005		n6			min.						~	~		
-0,01					[mm]						[N]			
<b>with locking – picture 2</b>														
16	28	25	40	M10	10	3	42	13	41,5	53	20	50	228	22130.0066

<sup>1)</sup> statistical average value

### Accessories

Dimensions					[g]	Art. No.
d <sub>1</sub>	d <sub>2</sub>	d <sub>3</sub>	l <sub>1</sub>	l <sub>2</sub>		
+0,005		n6	min.			
		[mm]				
<b>cylindrical bushing – picture 3</b>						
16	28	25	17	14,0	40	22130.0093

Application example

