

## Precision Index Plungers with cylindrical pin

22130.0060



### Product Description

Precision index plungers together with bushings are a perfect combination for quick positioning and mounting.

The precise tolerance of both, the precision index plunger and the bushing, guarantees a high repeatability of these two elements.

### Material

#### Pin

- Case-hardened steel, case-hardened, blackened and ground

#### Bushing

- Case-hardened steel, case-hardened, blackened and ground

#### Body

- Case-hardened steel, case-hardened, blackened and ground

#### Ball knob

- Thermoplastic, greyish black

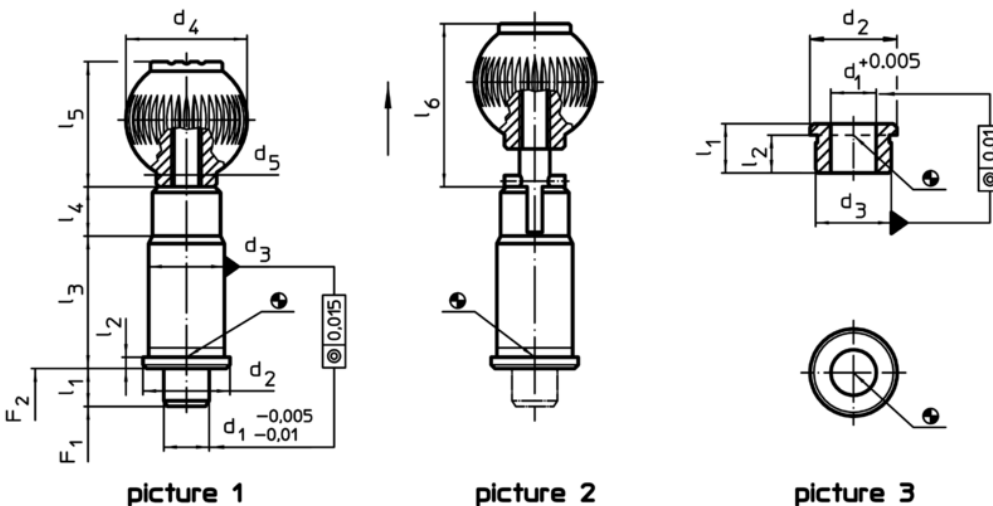
### Assembly

To achieve precise setting, ball grip and index plunger have to be glued after assembly.

### Operation

When using locking index plungers the knob is pulled out and turned 90°.

### Drawing



### Order information

d <sub>1</sub>	d <sub>2</sub>	d <sub>3</sub>	d <sub>4</sub>	d <sub>5</sub>	Dimensions						Spring load <sup>1)</sup>		[g]	Art. No.	
					l <sub>1</sub>	l <sub>2</sub>	l <sub>3</sub>	l <sub>4</sub>	l <sub>5</sub>	l <sub>6</sub>	F <sub>1</sub>	F <sub>2</sub>			
-0,005 -0,01		n6			min.							~	~		
[mm]															
[N]															
with locking – picture 2															
10	19	16	25	M6	10	2,5	31	13	25	36,5	15	30	79	22130.0060	

<sup>1)</sup> statistical average value

### Accessories

d <sub>1</sub>	d <sub>2</sub>	Dimensions			[g]	Art. No.
		d <sub>3</sub>	l <sub>1</sub>	l <sub>2</sub>		
+0,005		n6	min.			
[mm]						
cylindrical bushing – picture 3						
10	19	16	11	8,5	11	22130.0090

Application example

