

Distance Collars for index plungers

22120.0642

Product Description

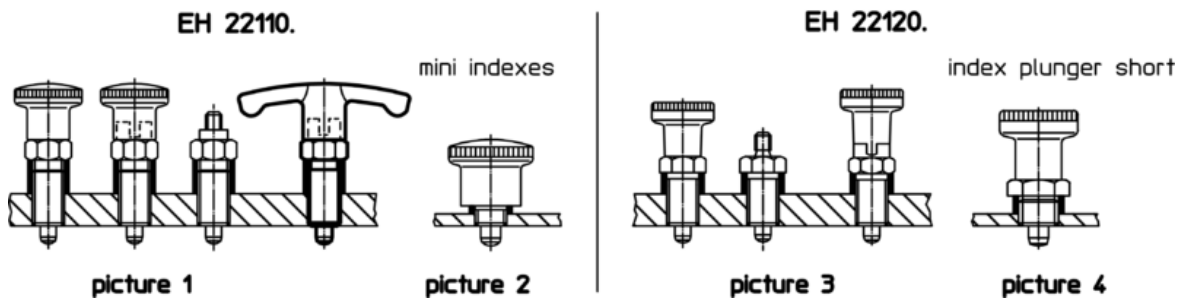
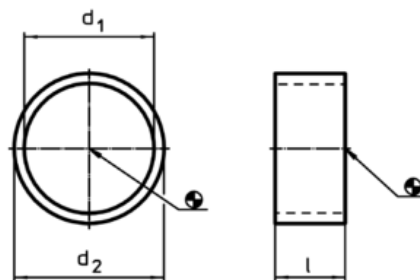
Distance collars adapt the thread of index plungers to different thread reaches.

Material

- Stainless steel 1.4305



Drawing



Order information

Dimensions			For index plungers Size	For finish Picture	max. [°C]	[g]	Art. No.
d ₁	l	d ₂					
H12	±0,1 [mm]	-0,1	[mm]				
10	2	12	M10	1/2/3	250	0,62	22120.0642

Application example

