

Distance Collars for index plungers

22120.0640

Product Description

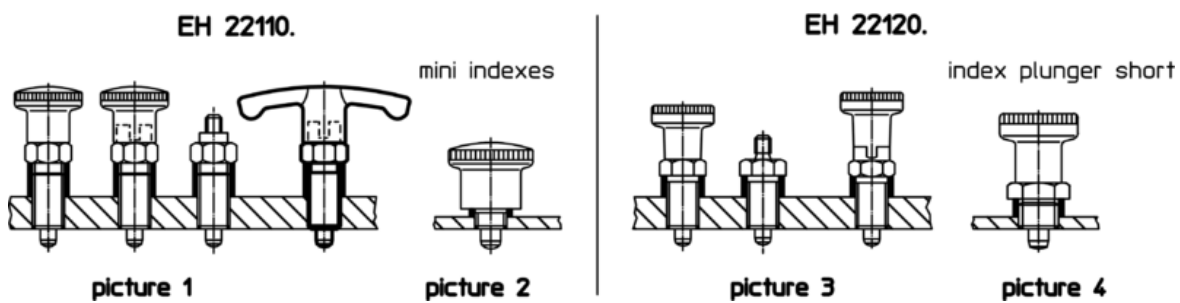
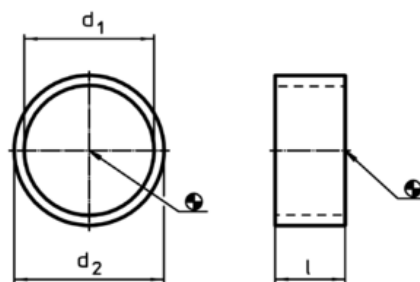
Distance collars adapt the thread of index plungers to different thread reaches.

Material

- Stainless steel 1.4305



Drawing



Order information

Dimensions			For index plungers Size	For finish Picture	🌡️ max.	📦 [g]	Art. No.
d ₁	l	d ₂	[mm]		[°C]		
H12	±0,1 [mm]	-0,1	M8	1	250	2	22120.0640

Application example

