

## Distance Collars for index plungers

22120.0638

### Product Description

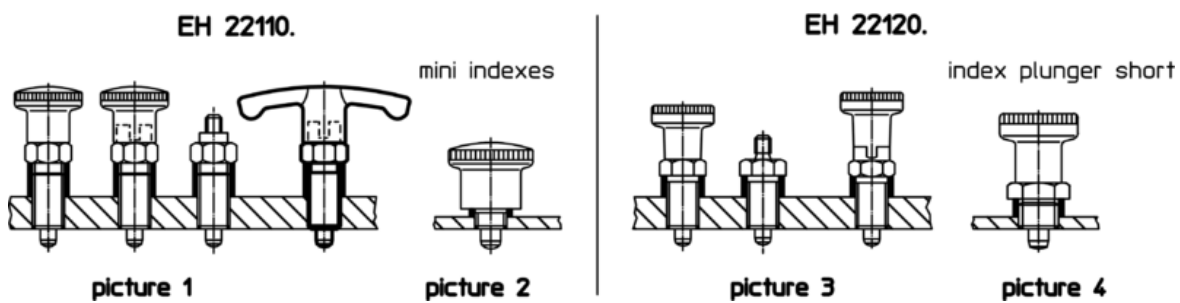
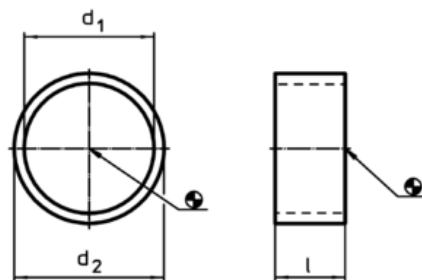
Distance collars adapt the thread of index plungers to different thread reaches.

### Material

- Stainless steel 1.4305



### Drawing



### Order information

| Dimensions     |              |                | For index plungers<br>Size | For finish<br>Picture | max.<br>[°C] | [g] | Art. No.   |
|----------------|--------------|----------------|----------------------------|-----------------------|--------------|-----|------------|
| d <sub>1</sub> | l            | d <sub>2</sub> |                            |                       |              |     |            |
| H12            | ±0,1<br>[mm] | -0,1           | [mm]                       |                       |              |     |            |
| 8              | 8            | 10             | M8                         | 1                     | 250          | 1,6 | 22120.0638 |

### Application example

