

Distance Collars for index plungers

22120.0633

Product Description

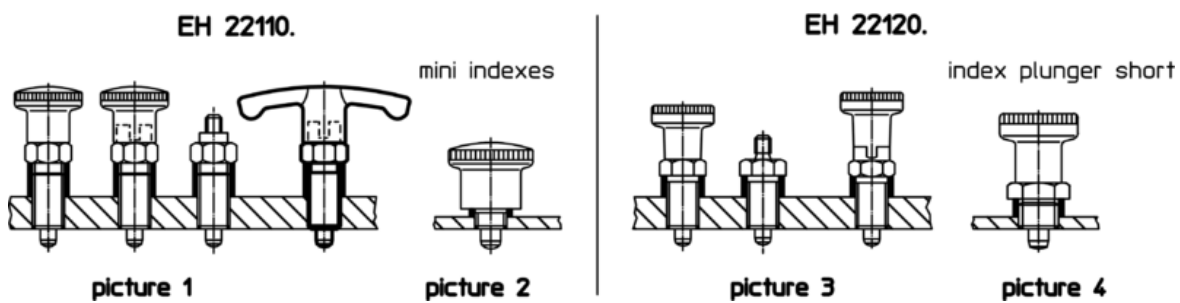
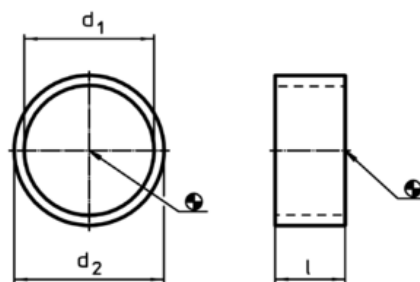
Distance collars adapt the thread of index plungers to different thread reaches.

Material

- Stainless steel 1.4305



Drawing



Order information

Dimensions			For index plungers Size	For finish Picture	max. [°C]	[g]	Art. No.
d ₁ H12	l ±0,1 [mm]	d ₂ -0,1					
8	3	10	M8	1	250	0,61	22120.0633

Application example

