

Index Bolts 22120.0317



Product Description

Index bolts are used for indexing purposes.
Plastic cover for grip allows better handling.

Material

Body

- Free cutting steel, blackened

Locking pin

- Steel, hardened

Catch

- Free cutting steel, blackened

Operation

By turning the index bolt 180° the locking pin will be pulled-in and secured by a notched catch (when locking pin must not project).

More information

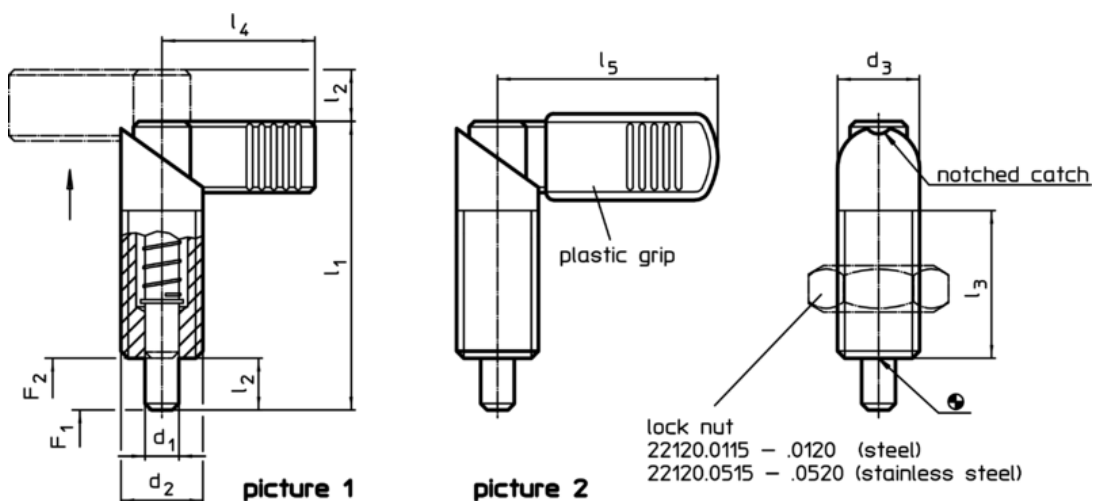
Notes

Lock nuts have to be purchased separately.

Further products

- Mounting Blocks, for index plungers and index bolts zinc die-cast
- Locating Bushings, for index bolts and index plungers
- Mounting Blocks, for index bolts and index plungers

Drawing





Order information

Dimensions							Spring load ¹⁾		max.		Art. No.
d ₁	d ₂	d ₃	l ₁	l ₂	l ₃	l ₄	F ₁	F ₂	[°C]	[g]	
-0,02							~	~			
-0,04											
[mm] [N] [°C] [g]											
without plastic cover for grip – picture 1, Free cutting steel											
8	M16 x 1,5	16	56	10	30	32	11,5	30,5	250	61	22120.0317

¹⁾ statistical average value

Accessories

	Dimensions d_2 [mm]	WS [mm]	 [g]	Art. No.
lock nuts ISO 8675 (DIN 439) for the following sizes, Steel				
	M16 x 1,5	24	18,0	22120.0118