

## Index Plungers· with mounting flange, horizontal

22110.0344



### Product Description

Index plungers are used for indexing bores.

#### Material

##### Housing

- Zinc die-cast, plastic coated, black

##### Locking pin

- Stainless steel 1.4305

##### Knob

- Thermoplastic PA 6, black, dull

#### Assembly

Assembly by means of washers ISO 7092.

#### Operation

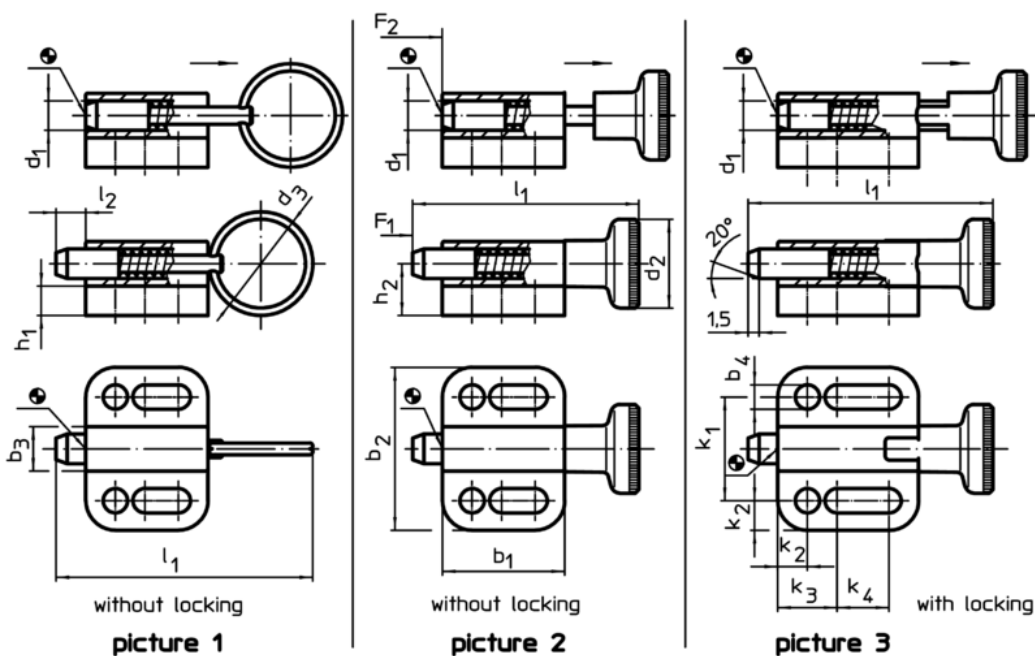
When using locking index plungers, the knob is pulled-out, turned 90° and secured by a notched catch (when locking pin must not project).

#### More information

#### Notes

Knob not removable.

### Drawing



### Order information

Dimensions														Spring load <sup>1)</sup>		Temperature		Weight	Art. No.						
$d_1$	$d_2$	$b_1$	$b_2$	$b_3$	$b_4$	$h_1$	$h_2$	$k_1$	$k_2$	$k_3$	$k_4$	$l_1$	$l_2$	$F_1$	$F_2$	min.	max.	[g]							
h9					-0,2			$\pm 0,05$					min.	~	~										
																				[N]		[°C]		[g]	
<b>with knob and locking – picture 3</b>																									
4	12	19	22	6	3,3	4	7	14	4	8	7	33	4	3	12	-30	80	10	22110.0344						

<sup>1)</sup> statistical average value

Application example

