

Index Plungers mini indexes

22110.0044



Product Description

Particularly suitable for screwing into thin walled pieces.
Performance in the smallest space requirements.

Material

Body

- Stainless steel 1.4305

Locking pin

- Stainless steel 1.4305

Knob

- Thermoplastic PA 6, black, dull

Assembly

Screw in the mini index. By lifting the knob, the hexagon will be released for assembly.
The screw length can be adapted by distance collars for index plungers (EH 22120.).

Operation

When using the self-locking type the knob is pulled-out, turned 30° and secured by a notched catch.

More information

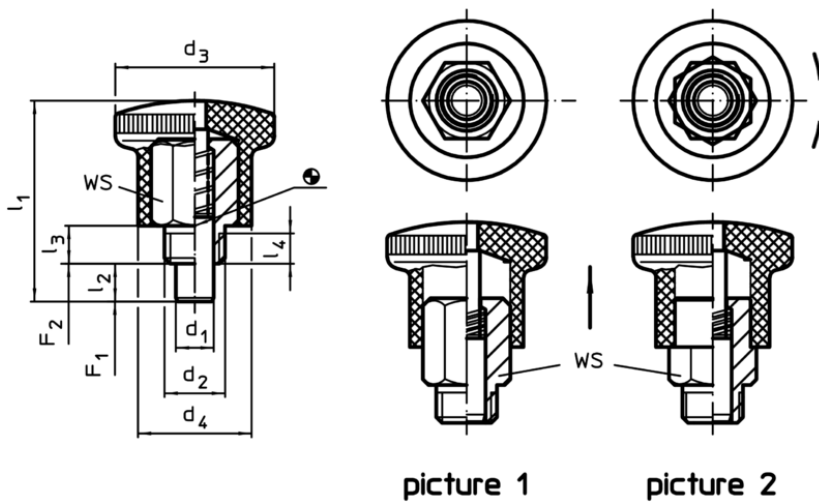
Notes

Knob not removable.

Further products

- Distance Collars, for index plungers

Drawing



Order information

Dimensions								WS	Spring load ¹⁾		Temperature		Weight	Art. No.	
d_1	d_2	d_3	d_4	l_1	l_2 min.	l_3	l_4 min.	[mm]	F_1 ~	F_2 ~	min.	max.	[g]		
[mm]								[mm]	[N]		[°C]		[g]		
0 -0,06															
without locking – picture 1, Stainless steel															
4	M8 x 0,75	21	15	26,5	5	5	3,5	10	4,5	12	-30	80	14	22110.0044	

¹⁾ statistical average value

Application example

