

## Index Plungers mini indexes

22110.0034



### Product Description

Particularly suitable for screwing into thin walled pieces.  
Performance in the smallest space requirements.

### Material

#### Body

- Steel, zinc-plated by galvanization

#### Locking pin

- Stainless steel 1.4305

#### Knob

- Thermoplastic PA 6, black, dull

### Assembly

Screw in the mini index. By lifting the knob, the hexagon will be released for assembly.  
The screw length can be adapted by distance collars for index plungers (EH 22120.).

### Operation

When using the self-locking type the knob is pulled-out, turned 30° and secured by a notched catch.

### More information

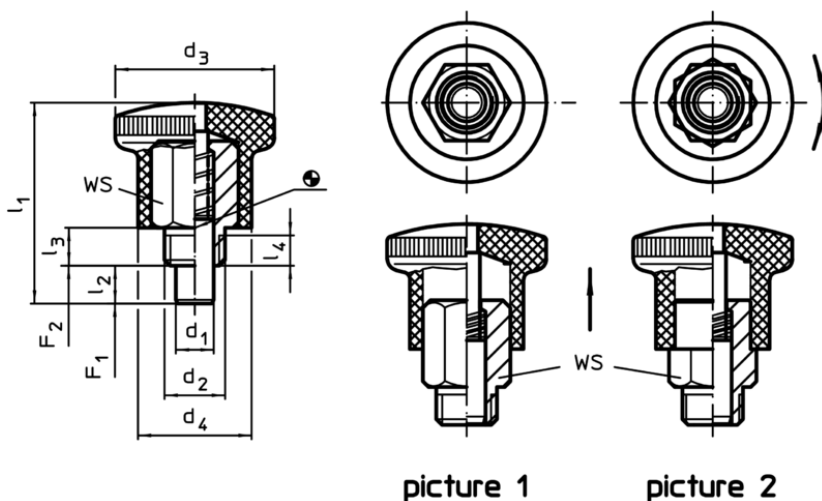
### Notes

Knob not removable.

### Further products

- Distance Collars, for index plungers

### Drawing



### Order information

Dimensions								WS	Spring load <sup>1)</sup>		Temperature		Weight [g]	Art. No.		
d <sub>1</sub>	d <sub>2</sub>	d <sub>3</sub>	d <sub>4</sub>	l <sub>1</sub>	l <sub>2</sub> min.	l <sub>3</sub>	l <sub>4</sub> min.	[mm]	F <sub>1</sub> ~	F <sub>2</sub> ~	min.	max.			[°C]	[g]
0 -0,06																
<b>with locking – picture 2, Steel</b>																
4	M8 x 0,75	21	15	26,5	5	5	3,5	10	4,5	12	-30	80	13	22110.0034		

<sup>1)</sup> statistical average value

Application example

