

Spring Plungers· smooth, without collar, with moveable ball

22081.0327



Product Description

Spring plungers can be used for locating or for applying pressure, as a detent or for ejection. The running of the ball minimises wear on the counterpart, this also results in a positive locking behaviour depending on the counterpart. Plastic balls offer electric insulation.

Material

Body

- Stainless steel 1.4305

Bearing

- Plastic

Ball

- Stainless steel, hardened

Spring

- Stainless steel

Assembly

The locating hole has to be adapted to each individual application case. We recommend an F8 size location hole for easy assembly and a H9 size when tight fit is required.

More information

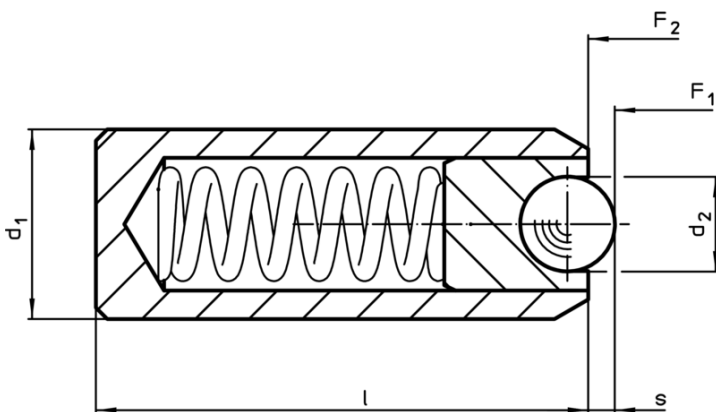
Notes

Special types on request.
Spring range and forces are precisely tested.

References

Calculation of indexing resistance, see details at the start of the section.

Drawing



Order information

Dimensions			Stroke s [mm]	Spring load ¹⁾		min. max. [°C]		Location hole joint connection F8 / press fit H9 [mm]	[g]	Art. No.
d ₁ ±0,04	d ₂ [mm]	l		F ₁ ~ [N]	F ₂ ~ [N]					
body and ball from stainless steel										
8	4,5	18	1,4	18,8	31,7	-30	90	8	4,3	22081.0327

¹⁾ statistical average value