

## Spring Plungers· smooth, long, with collar and ball 22080.1108



### Product Description

Spring plungers can be used for locating or for applying pressure, as a detent or for ejection. This version has higher spring forces than the standard version. "EH 22080. Spring Plungers, smooth, with collar and ball".

### Material

#### Body

- Stainless steel 1.4303

#### Ball

- Stainless steel, hardened

#### Spring

- Stainless steel

### More information

#### Notes

Special types on request.  
Spring range and forces are precisely tested.

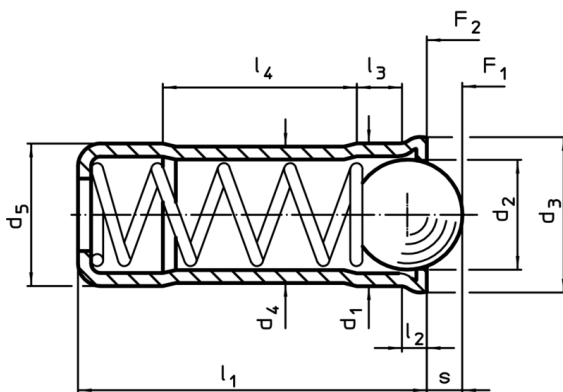
#### References

Calculation of indexing resistance, see details at the start of the section.

#### Further products

- Spring Plungers, smooth, with collar and ball

### Drawing



### Order information

Dimensions										Stroke $s$ +0,2 -0,1 [mm]	Spring load <sup>1)</sup>		max. [°C]	Location hole H7 [mm]	[g]	Art. No.
$d_1$ +0,1 +0,04	$d_2$	$d_3$	$d_4$	$d_5$ ±0,04	$l_1$	$l_2$ ~	$l_3$ ~	$l_4$ ~	$F_1$ ~		$F_2$ ~	[N]				
8	6,5	8,5	7,55	8	18	1,1	2,9	9,5	40	67,3	250	8	4	22080.1108		

<sup>1)</sup> statistical average value

Application example

