

Spring Plungers· smooth, with collar and ball, self-clamping

22080.0706



Product Description

Spring plungers can be used for locating or for applying pressure, as a detent or for ejection. Due to expanding fit of the body, the spring plungers can accommodate variation of up to 0,2 mm in the locating bore. A less precise locating hole means lower machining costs.

Material

Body

- Thermoplastic POM, black

Ball

- Stainless steel, hardened

Spring

- Stainless steel

Assembly

Thanks to the flexible design of the body, a direct manual mounting and a secure overhead installation is possible.

More information

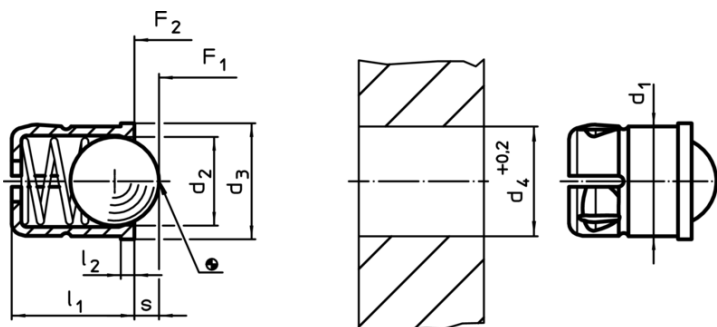
Notes

Special types on request.
Spring range and forces are precisely tested.

References

Calculation of indexing resistance, see details at the start of the section.

Drawing



Order information

Dimensions					Stroke s [mm]	Spring load ¹⁾		Temperature		Location hole d ₄ +0,2 [mm]	Weight [g]	Art. No.
d ₁ +0,1	d ₂	d ₃ [mm]	l ₁ ±0,2	l ₂ ~		F ₁ ~ [N]	F ₂ ~ [N]	min. [°C]	max. [°C]			
6	5	6,5	7	1	1,6	6,2	12,6	-30	50	6	0,63	22080.0706

¹⁾ statistical average value

Application example

