

## Spring Plungers· long

### 22070.0440

#### Product Description

To be used for ejecting, as a detent, for applying pressure or as a shock element.



#### Material

##### Pin

- Steel, case-hardened, blackened

##### Body

- Free cutting steel, blackened

##### Spring

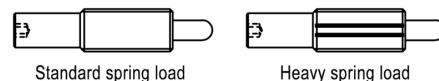
- Stainless steel

#### Assembly

Spring plungers can be mounted and removed by means of the slot or internal hexagon. Please use a special assembly tool for mounting with a slot (pin side).

#### Characteristic

Standard spring load: no marking



#### More information

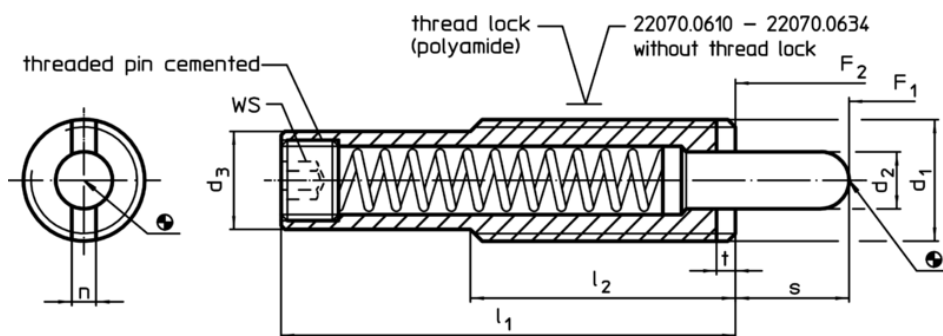
#### Notes

Special types on request.  
Spring range and forces are precisely tested.

#### References

Thread lock on request, please refer to appendix - Technical Data -

#### Drawing



#### Order information

Dimensions							Stroke s	WS	Spring load <sup>1)</sup>		min.	max.	[g]	Art. No.
d <sub>1</sub>	d <sub>2</sub>	d <sub>3</sub>	l <sub>1</sub>	l <sub>2</sub>	n	t			F <sub>1</sub>	F <sub>2</sub>				
[mm]							[mm]	[mm]	~	~	[N]	[°C]	[g]	
<b>body from free cutting steel, standard spring load</b>														
M16	8	13,4	58	35	3,2	3	20	6	4	23	-30	90	55	22070.0440

<sup>1)</sup> statistical average value

#### Accessories

Dimensions d <sub>1</sub> [mm]	[g]	Art. No.
<b>Assembly tool for mounting via slot (pin sided)</b>		
M16	110	22070.0834

Application example

