

Spring Plungers with moveable ball and slot 22051.0612



Product Description

Spring plungers can be used for locating or for applying pressure, as a detent or for ejection. The running of the ball minimises wear on the counterpart, this also results in a positive locking behaviour depending on the counterpart. Plastic balls offer electric insulation.

Material

Body

- Stainless steel 1.4305

Bearing

- Plastic

Ball

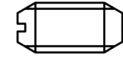
- Stainless steel, hardened

Spring

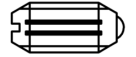
- Stainless steel

Characteristic

Reinforced spring load: marked with two lines



Standard spring load



Heavy spring load

More information

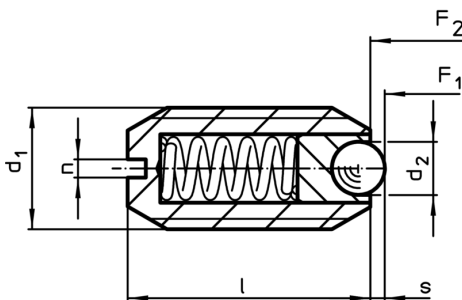
Notes

Special types on request.
Spring range and forces are precisely tested.

References

Thread lock on request, please refer to appendix - Technical Data - Calculation of indexing resistance, see details at the start of the section.

Drawing



Order information

| Dimensions | | | | Stroke s [mm] | Spring load ¹⁾ | | Temperature | | Weight [g] | Art. No. |
|------------------------------------|----------------|----|---|---------------------|---------------------------|---------------------|-------------|------|---------------|------------|
| d ₁ | d ₂ | l | n | | F ₁ ~ | F ₂ ~ | min. | max. | | |
| [mm] | | | | | [N] | | [°C] | | | |
| stainless steel, heavy spring load | | | | | | | | | | |
| M12 | 6,5 | 22 | 2 | 2,3 | 39,5 | 77,3 | -30 | 90 | 12,3 | 22051.0612 |

¹⁾ statistical average value

Application example

