

## Spring Plungers with moveable ball and slot 22051.0216



### Product Description

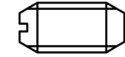
Spring plungers can be used for locating or for applying pressure, as a detent or for ejection. The running of the ball minimises wear on the counterpart, this also results in a positive locking behaviour depending on the counterpart. Plastic balls offer electric insulation.

#### Material

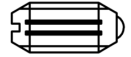
- Body**
- Free cutting steel, blackened
- Bearing**
- Plastic
- Ball**
- Ball-bearing steel, hardened
- Spring**
- Stainless steel

#### Characteristic

Reinforced spring load: marked with two lines



Standard spring load



Heavy spring load

#### More information

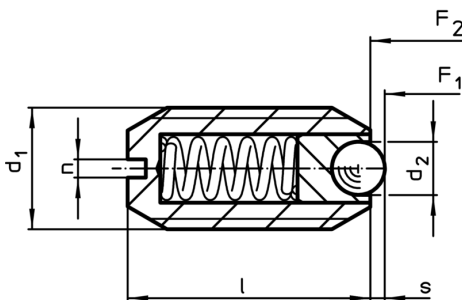
#### Notes

Special types on request.  
Spring range and forces are precisely tested.

#### References

Thread lock on request, please refer to appendix - Technical Data - Calculation of indexing resistance, see details at the start of the section.

### Drawing



### Order information

Dimensions				Stroke s [mm]	Spring load <sup>1)</sup>		Temperature		Weight [g]	Art. No.
d <sub>1</sub>	d <sub>2</sub>	l	n		F <sub>1</sub> ~	F <sub>2</sub> ~	min.	max.		
[mm]					[N]		[°C]			
free cutting steel, heavy spring load										
M16	8,5	24	2	3,1	50	88,7	-30	90	25	22051.0216

<sup>1)</sup> statistical average value

Application example

